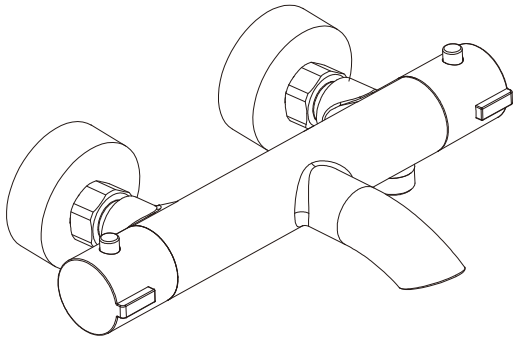


Installation Method

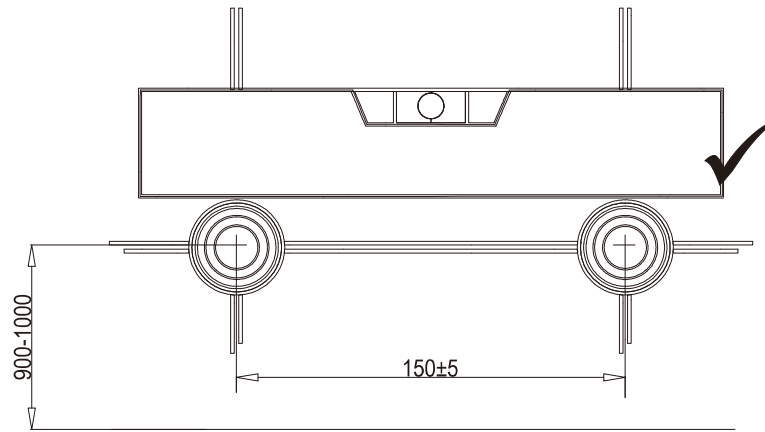
5. Now we finished the installation of mixer body.



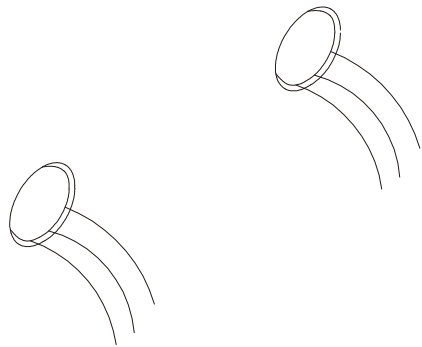
Thermostatic Bath Mixer
Instruction Guide

Installation Method

1. Identify the proper installation position of hot and cold water inlets.

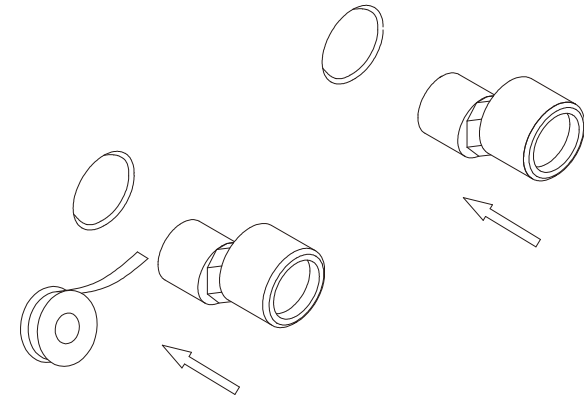


2. Flush out all the impurities like muds and sands.



Installation Method

3. Wrap the S-connectors with teflon tape and then screw them into the pipes.



4. Connect the wall flange and mixer body to the S-connectors.

