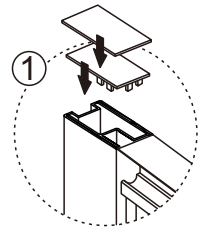
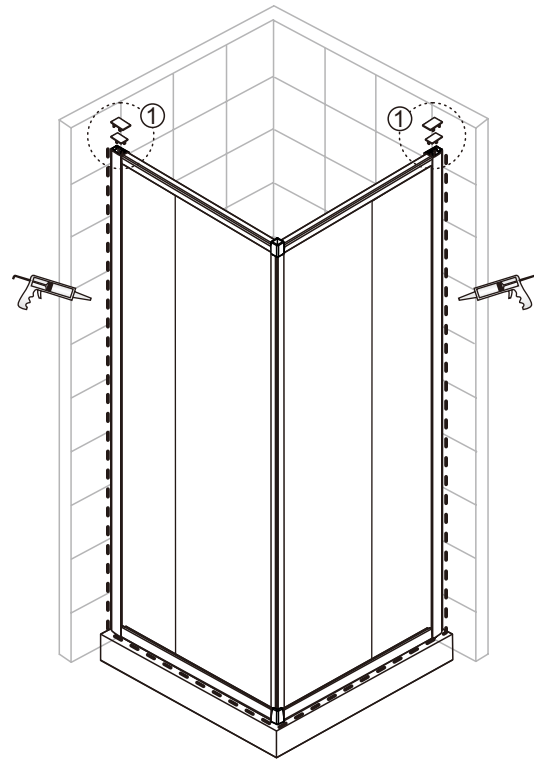


Step 7



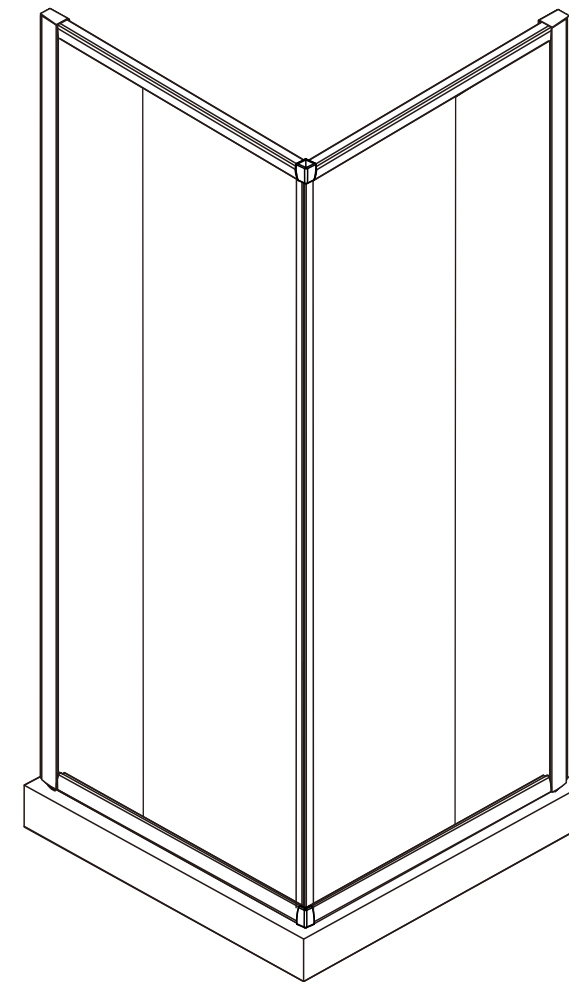
View from inside



Allow 24 hours for silicone to dry before use.

## INSTALLATION INSTRUCTIONS

SW1210/SW1211/SW1212  
SW541210/SW541211/SW541212



Size: 800x800x1850mm  
900x900x1850mm  
1000x1000x1850mm

## ◆ General Information

Please inspect the product immediately upon receipt for transit damage, missing packs/parts or manufacturing fault. Damage reported later cannot be accepted. Please handle the product with care avoiding knocks and shock loading to all sides and edges of the glass.

### Notes: Safety glass can not be re-worked.

Please read these instructions carefully before start of installation.

Special care should be taken when drilling walls to avoid hidden pipes or electrical cables.

Note: This product is heavy and may require two people to install.

### Aftercare instructions

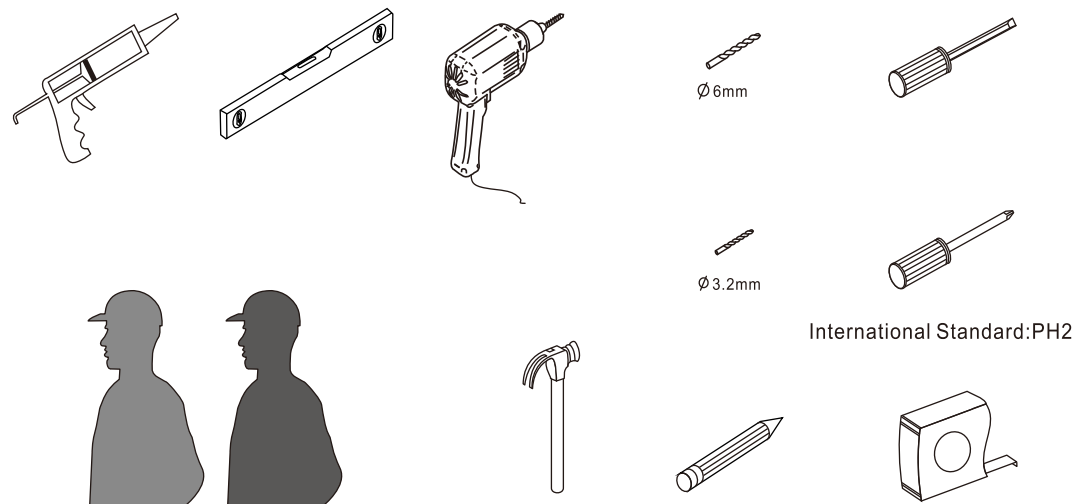
After use, your shower should be cleaned with soap and water. This is particularly important in hard water districts where insoluble lime salts may be deposited and allowed to build up.

Cleaners of a gritty or abrasive nature should not be used. Care should be taken to avoid contact with strong chemicals such as organic solvents and strippers.

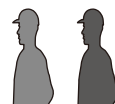
Glass cleaners can be used but with caution, if in doubt contact the manufacturer of the cleaner in question.

Please keep these instructions for aftercare and customer service details.

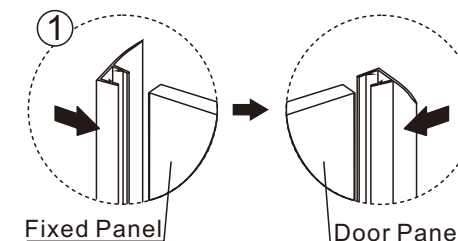
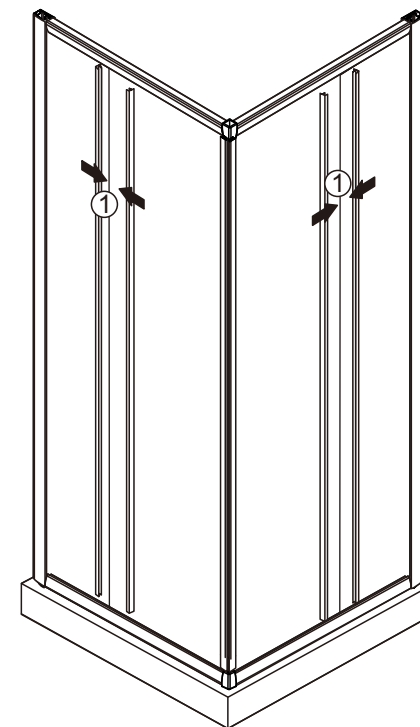
### Tools Required



This product is heavy and may require two people to install.

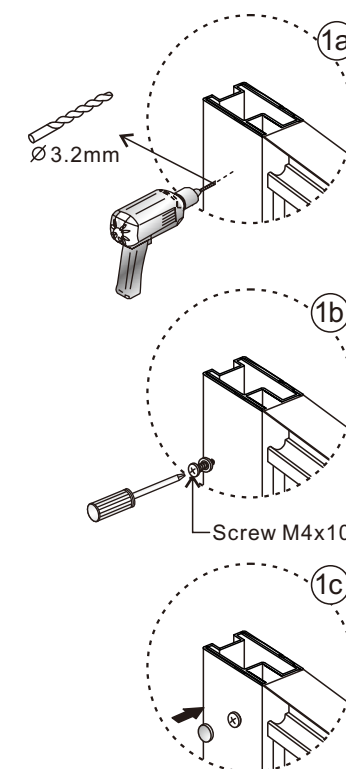
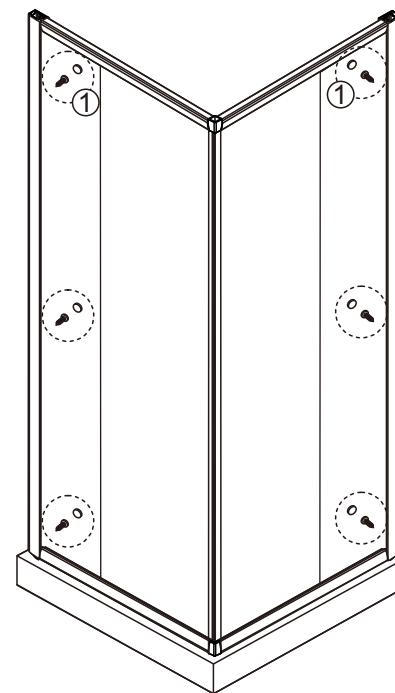


## Step 5



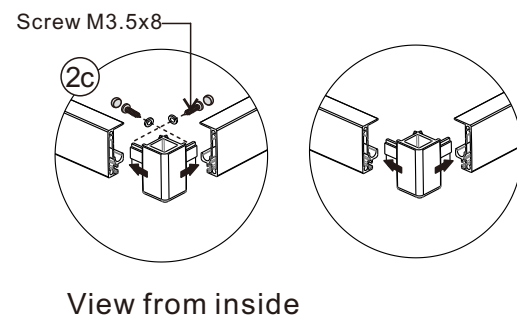
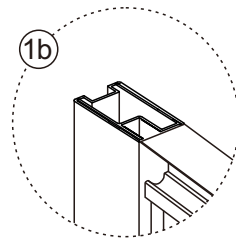
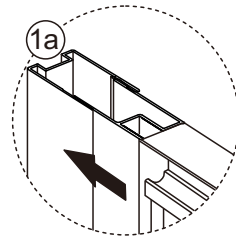
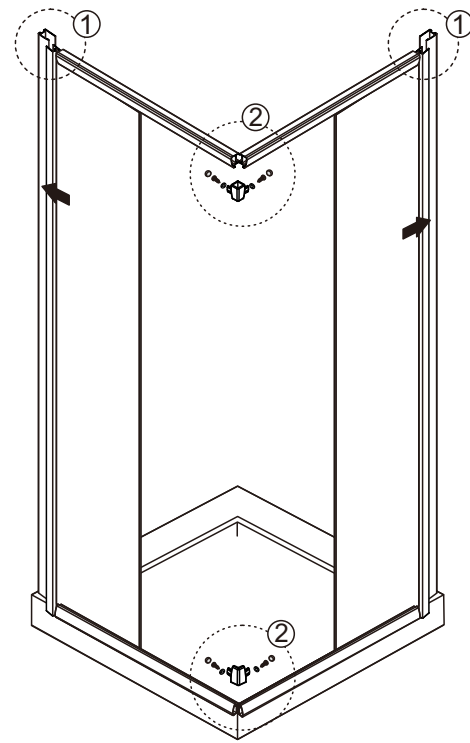
⚠ Ensure wall profiles are plumb.  
Adjust enclosure to be square and level.  
Wheels should be adjusted to square the doors and ensure smooth running.

## Step 6

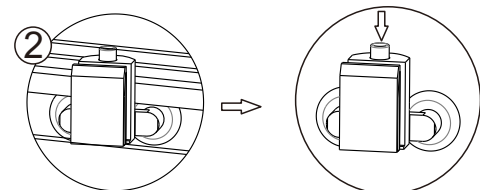
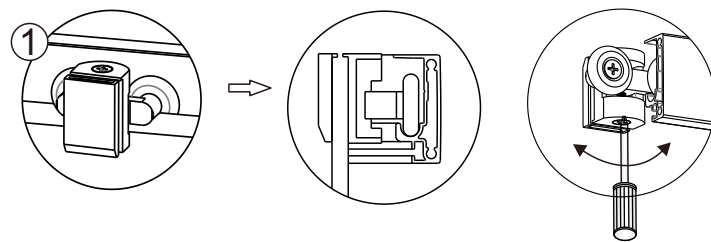
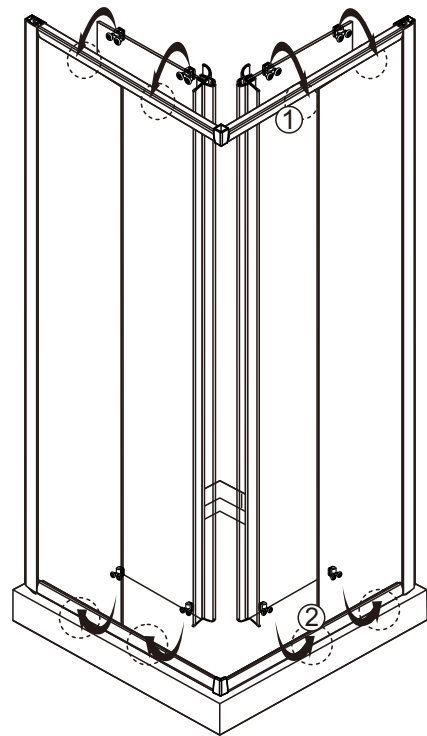


View from inside

### Step 3



### Step 4

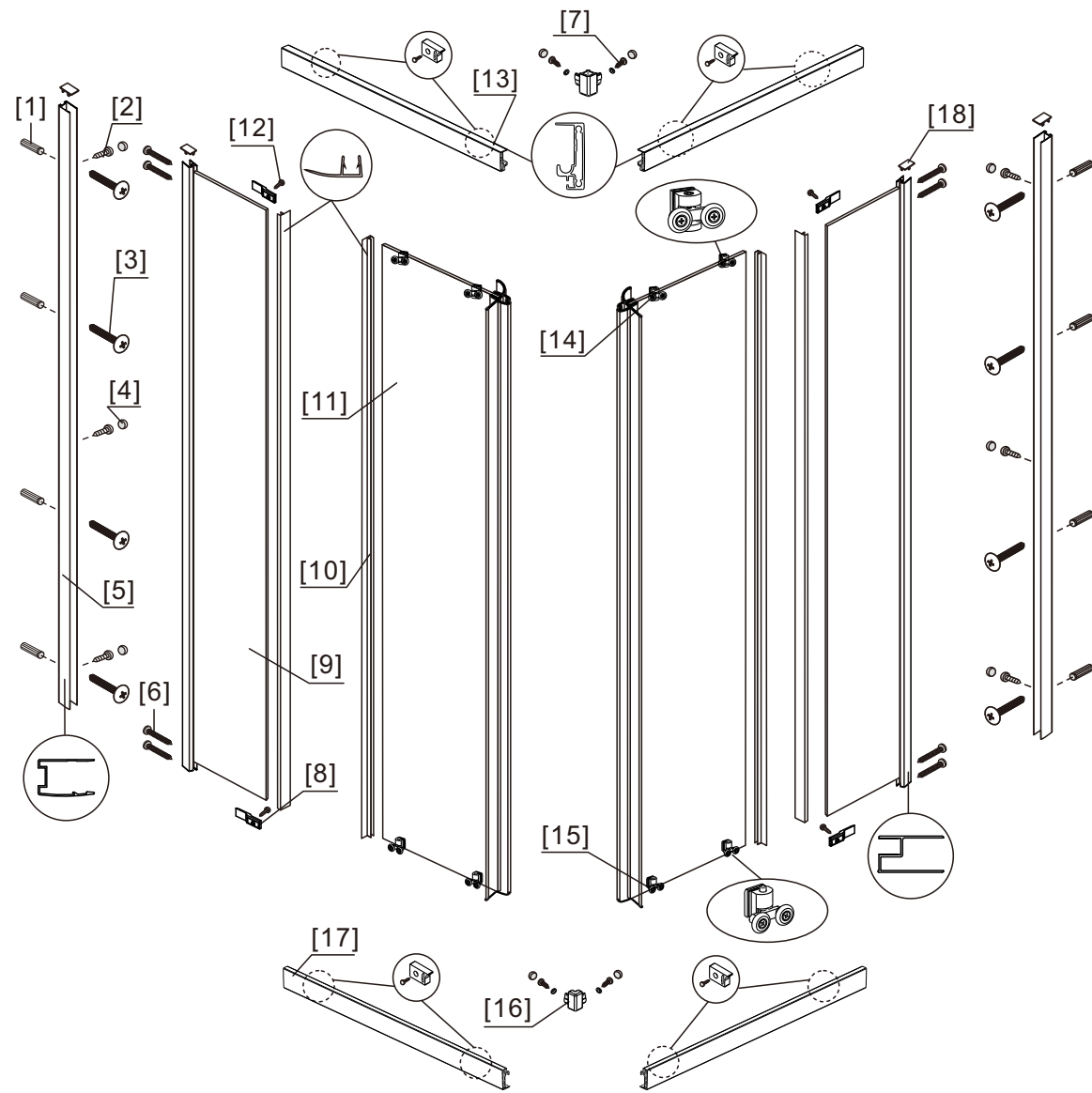


View from inside

### ◆ Box Contents:

[1] 4xHorizontal Rails. 8xRound Screws M4x35.	➔	
[2] 1xInstallation Instruction.	➔	
[3] 4xGlass Clamps. 4xScrews M3.5x8.	➔	
[4] 4xProfile Covers.	➔	
[5] 8xWall Plugs. 8xRound Screws M4x35.	➔	
[6] 6xScrews M4x8. 6xScrew Cover Caps.	➔	
[7] 2xCorner Connectors. 4xScrews M3.5x8. 4xScrew Cover Caps.	➔	
[8] 4xWater Deflectors.	➔	
[9] 2xWall Posts.	➔	
[10] 2xFixed Panels.	➔	
[11] 2xDoor Panels.	➔	

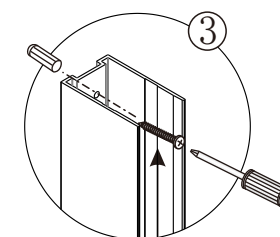
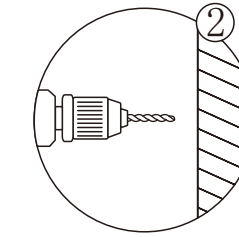
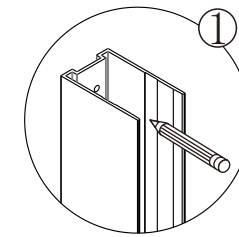
## ◆ Assembly Drawing



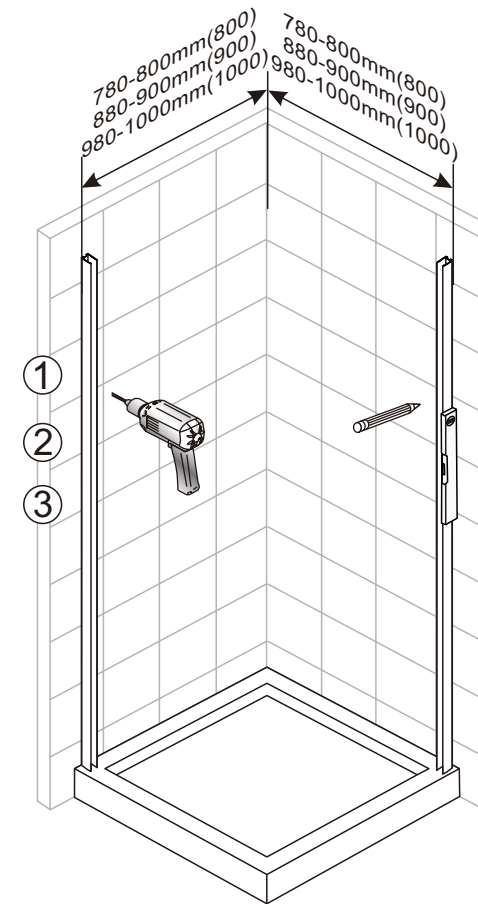
- [1] 8xWall Plugs.
- [2] 6xScrews M4x8.
- [3] 8xRound Screws M4x35.
- [4] 10xScrew Cover Caps.
- [5] 2xWall Posts.
- [6] 8xRound Screws M4x35.
- [7] 4xScrews M3.5x8
- [8] 4xGlass Clamps.
- [9] 2xFixed Panels.

- [10] 4xWater Deflectors.
- [11] 2xDoor Panels.
- [12] 4xScrews M3.5x8.
- [13] 2xTop Horizontal Rails.
- [14] 4xTop Rollers.
- [15] 4xBottom Rollers.
- [16] 2xCorner Connectors.
- [17] 2xBottom Horizontal Rails.
- [18] 4xProfile Covers.

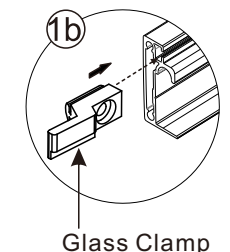
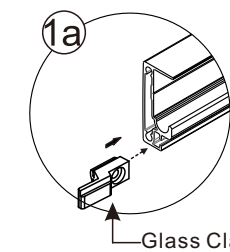
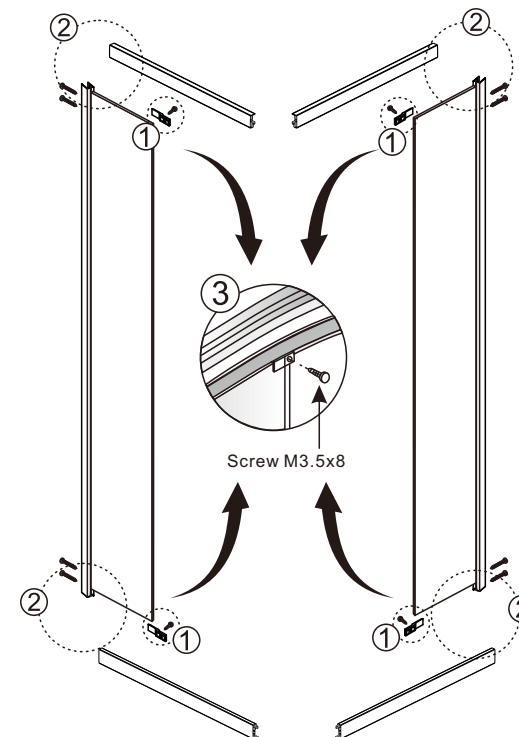
## ◆ Installation Steps: Step 1



Round Screw  
M4x35

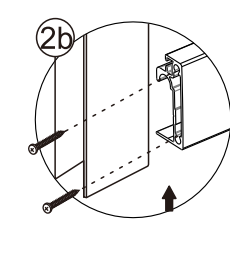
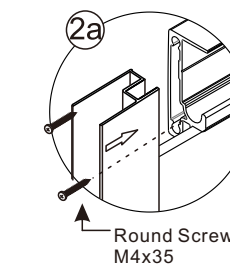


## Step 2




Glass Clamp

Glass Clamp



Round Screw  
M4x35

View from inside

 Please pay attention  
to the direction!