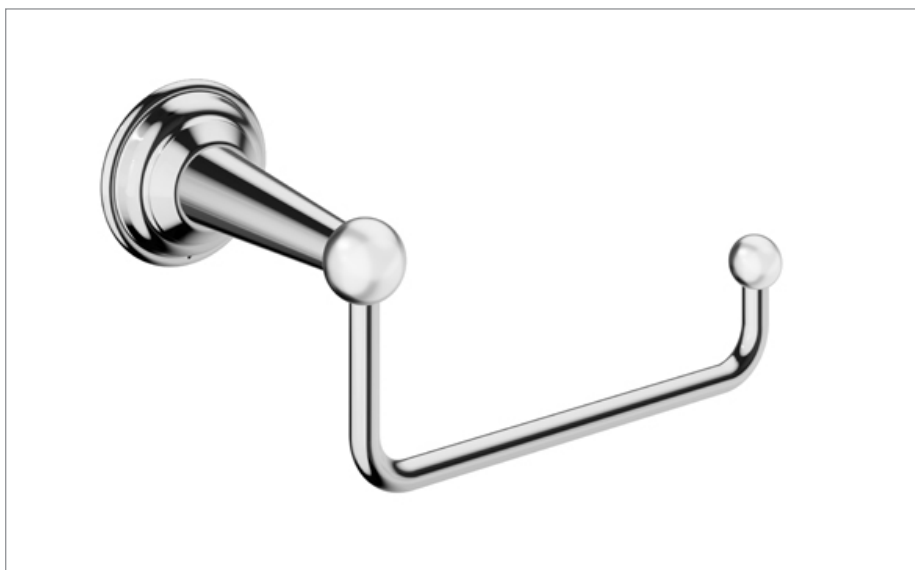


# PRODUCT DATA SHEET



PRODUCT CODE  
BL029C+

RANGE  
BELGRAVIA

DESCRIPTION  
Toilet Roll Holder

COLOUR Chrome

MATERIAL Brass

INSTALLATION TYPE Wall Mounted

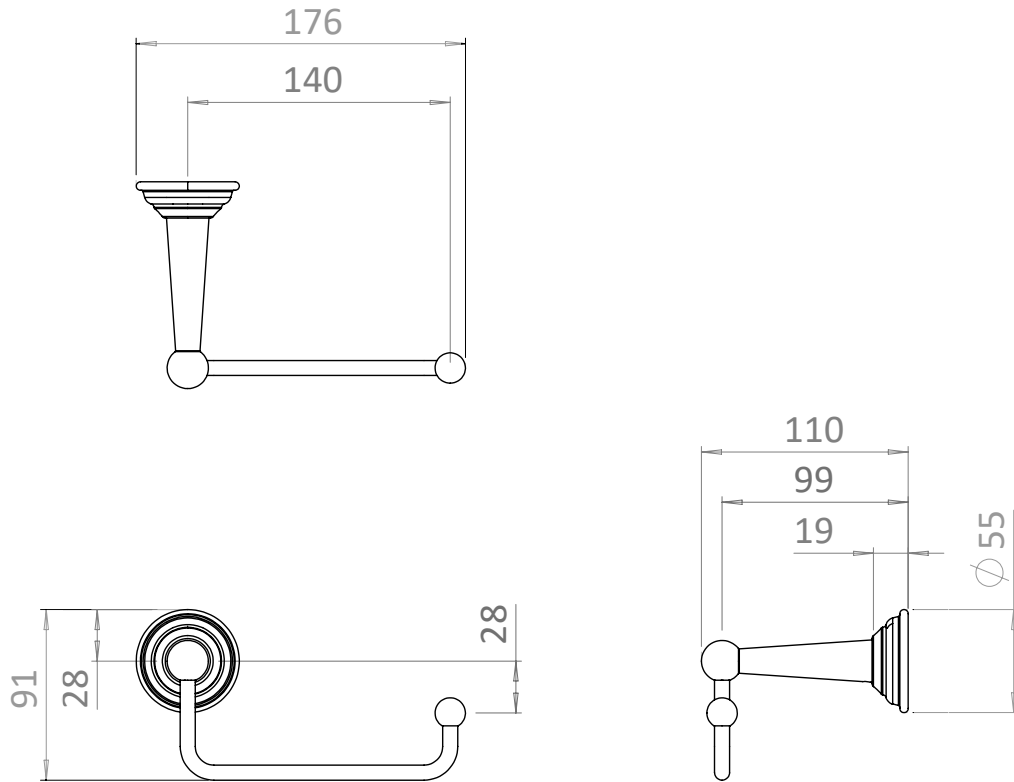
FINISH APPLCIATION Electroplating

WARRANTY 15 Years

## TECHNICAL DIMENSIONS

Dimensions in mm unless otherwise specified.

Tolerances (per material type) apply.



V10522