



Installation Guide *GUIDE D'INSTALLATION*

Shower Panel

PANNEAU DE DOUCHE

Technical Data

Maximum operating pressure:	0.86Mpa
Recommended pressure:	0.35-0.55Mpa
Max. hot water temperature:	80°C
Recommended hot water temperature:	49-72°C

* Know and follow all applicable local plumbing codes when setting the temperature on the water heater.

Fiche technique

Pression d'utilisation maximale:	0.86Mpa
Pression recommandée :	0.35-0.55Mpa
Température maximale de l'eau :	80°C
Température maximale recommandée de l'eau :	49-72°C

*Informez-vous de tous les codes de plomberie locaux en vigueur et suivez-les lors du réglage de la température du chauffe-eau.

Recommended Tools for Installation:

Outils recommandés pour l'installation :



Drill
(Perceuse)



Drill bit
(Mèche)
(φ6.5mm)



Tape measure
(Ruban à mesurer)
(3m-5m)



Wrenches
(Clés)



Pencil
(Crayon)



Screwdriver
(Tournevis)

Replacement Parts:

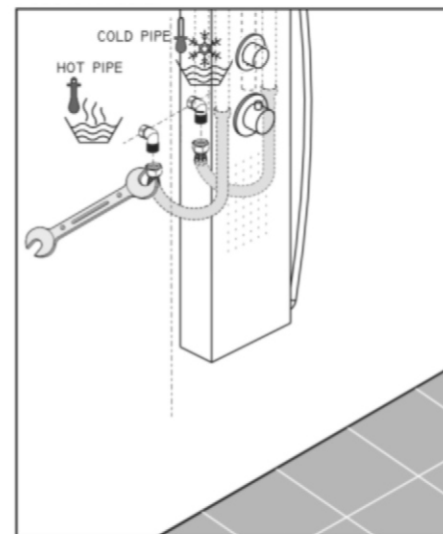
1-Shower Panel Casing	1SET
2-Screw Anchor	3PCS
3-Positioning and Support Brackets	1PCS
4-Screws	3PCS
5-Handshower Cradle Assembly	1SET
6-Handshower	1PC
7-Filter Gasket	1PCS
8-O Ring Gasket	2PCS
9-Handshower Hose	1PC

Pièces de rechange:

1-Bâti du panneau de douche	1ENS
2-Vis d'ancrage	4PCS
3-Consoles de soutien et de positionnement	2PCS
4-Vis	4PCS
5-Assemblage du berceau de la douche à main	1SET
6-Raccord de plomberie en coude	2PCS
7-Douche à main	1PC
8-Joint d'étanchéité du filtre	3PCS
9-Bague ronde d'étanchéité	2PCS
10-Tuyau de la douche à main	1PC

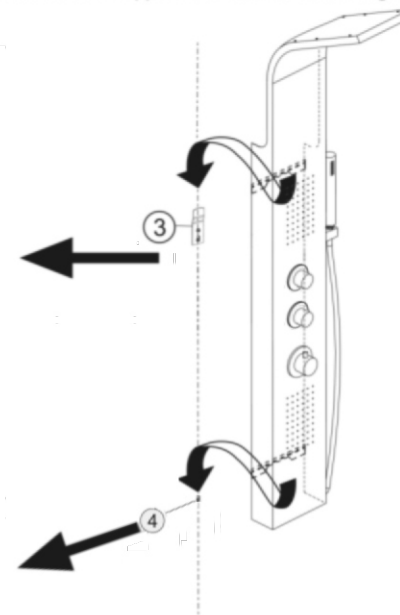
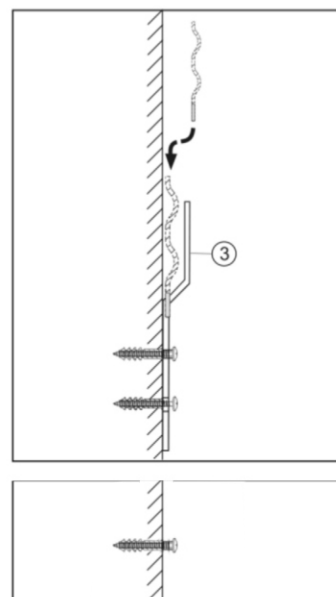
2

Using a wrench, connect the 2 water input hoses behind the shower panel to the hot/cold water output taps. Left hose is for hot and right hose is for cold.



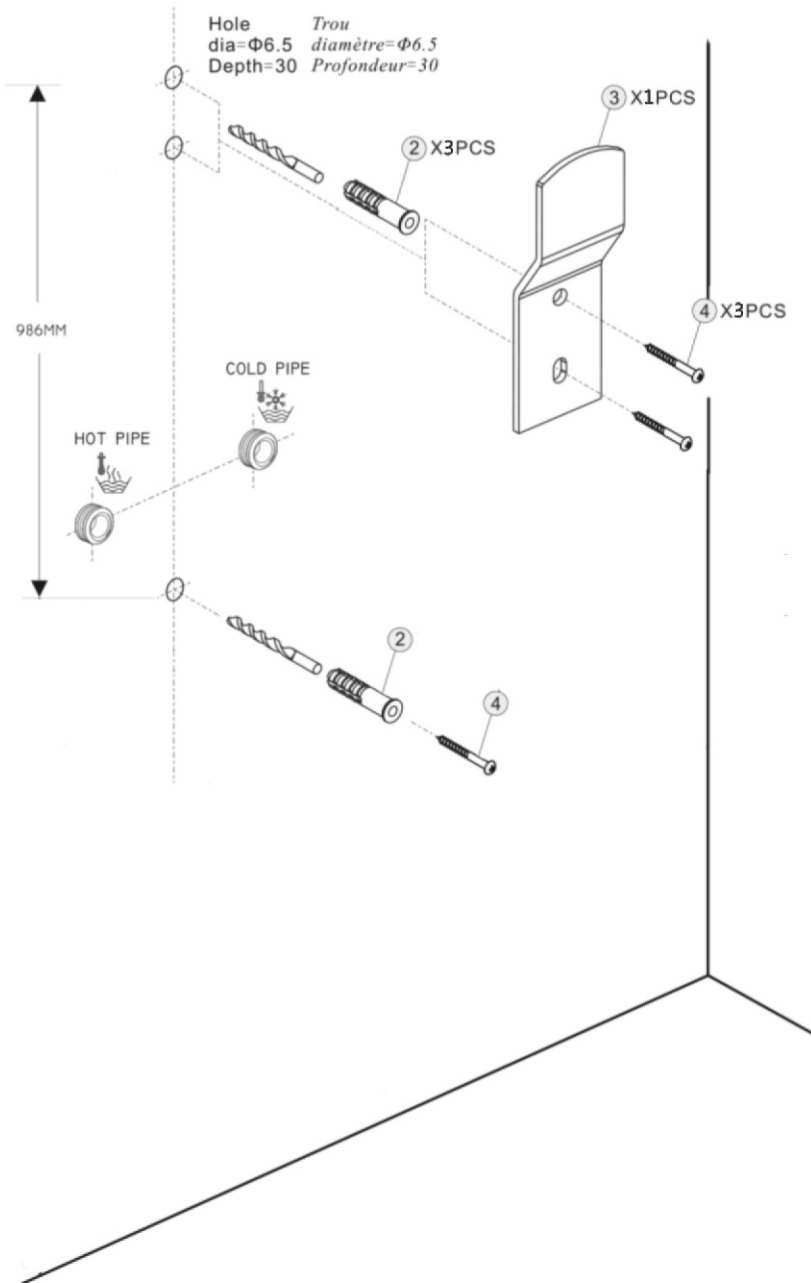
3

Make sure the Positioning & Support Bracket (3) is properly installed into the shower wall. Mount the shower panel by properly positioning the upper and lower support bars to the Positioning & Support Brackets (3).



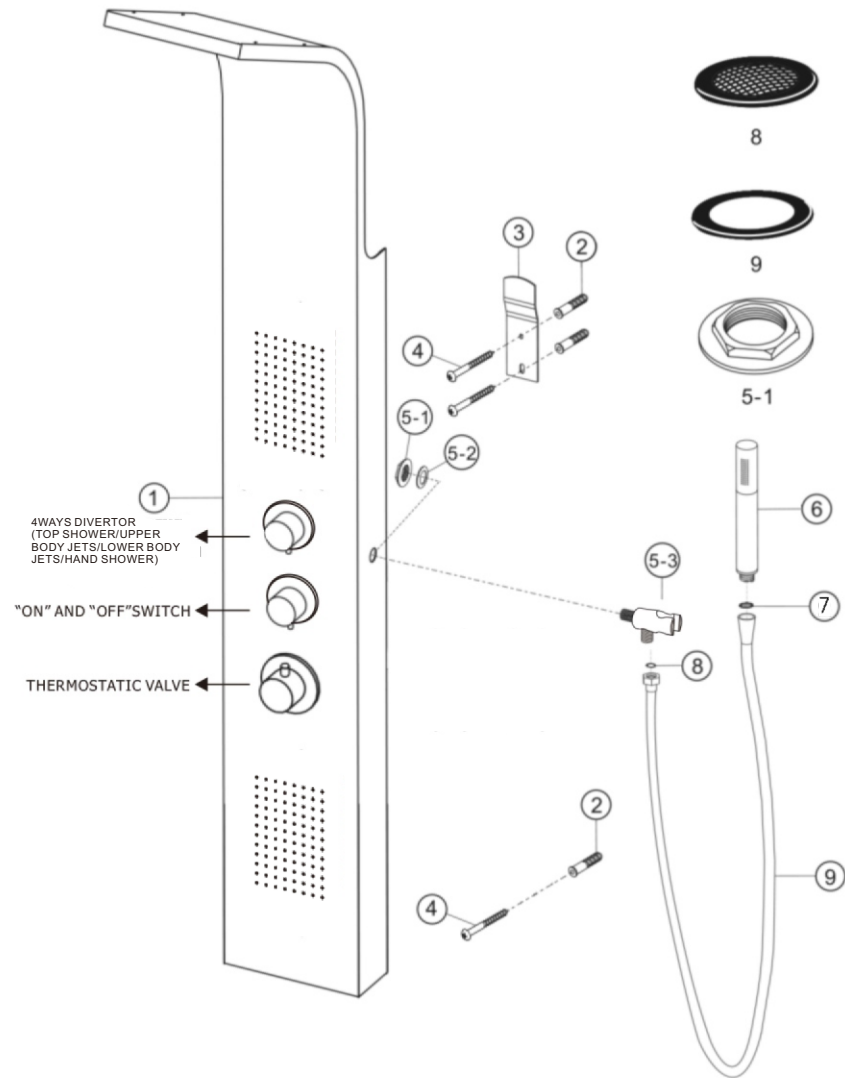
Preparing the proper position for your shower panel

- Using your Body Height (BH) as a basis for determining the position of your shower panel, take your body height in **mm** (referred to as "BH"). Use the drawing to measure in order to determine correct drilling points to install the Positioning and Support Brackets (3)



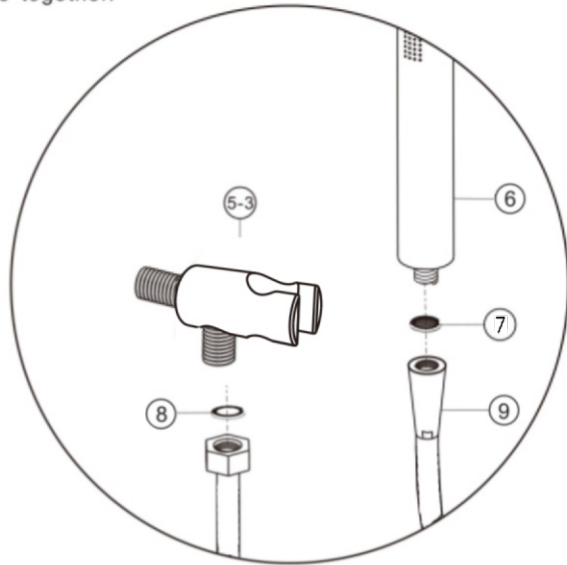
Parts Identification:

In order to make identifying all parts and components of the shower panel easy and accurate, we have provided each part with a numeric code. Please make use of this code to reference parts on Page 1 and in the event you need to have a part replaced or ordered.

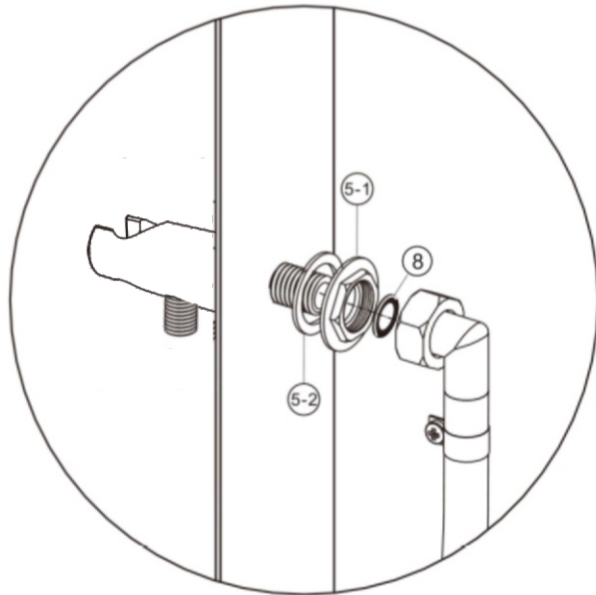


Basic Set-Up:

Below is a visual step-by-step sequence of how to put the shower panel's main components together.



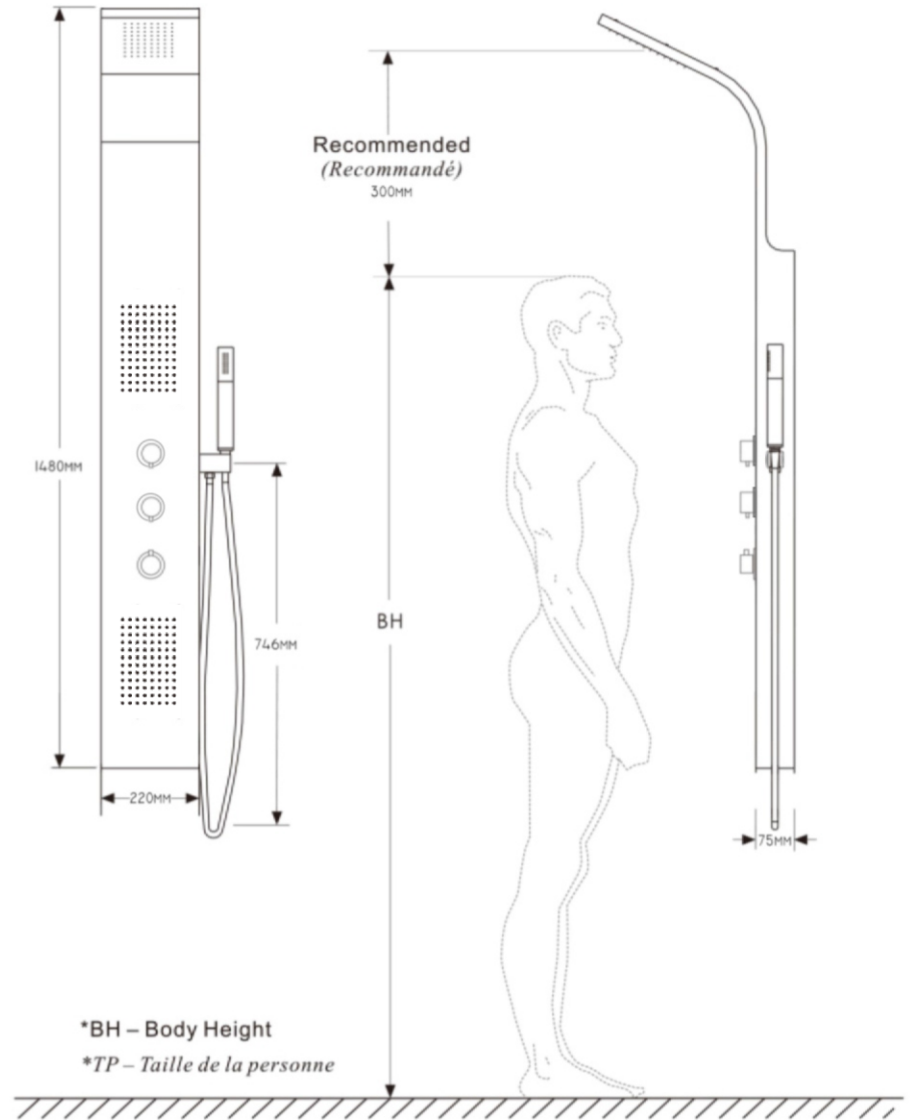
(a)



(b)

Positioning the panel using user's height (method 1)

Depending on your height, we recommend the shower head to be positioned approx. 300 mm above your head. If you have several persons in your home who will be using this shower panel, measure the height of the tallest person and position the shower head 300 mm over that height.



Dimensions