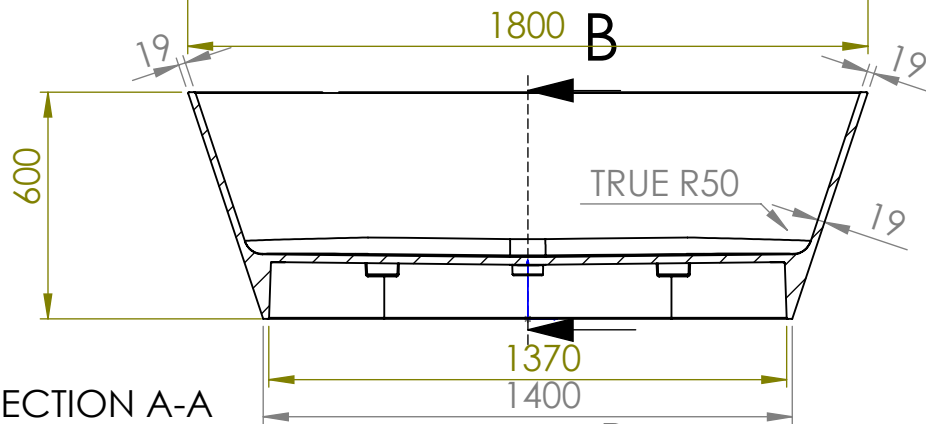
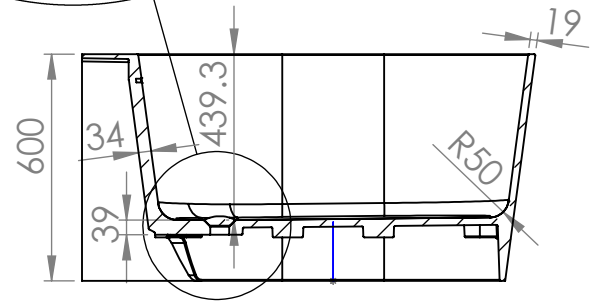


DETAIL C
SCALE 1 : 5



SECTION A-A

B



SECTION B-B