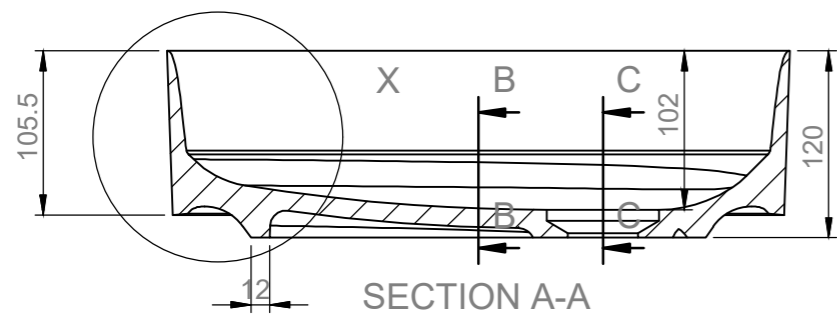
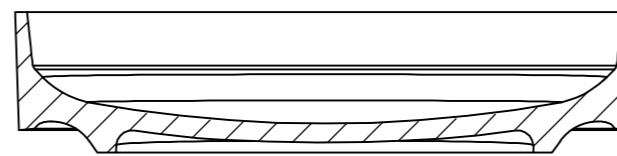


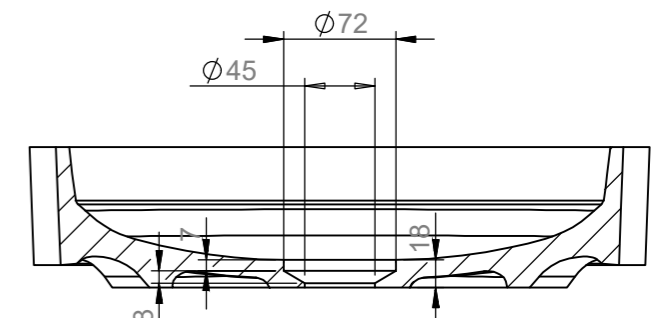
DETAIL X
SCALE 1 : 1



SECTION A-A



SECTION B-B



SECTION C-C