

# PRODUCT DATA SHEET



**PRODUCT CODE**

VG1000DSGR

**RANGE**

VERGO

**DESCRIPTION**

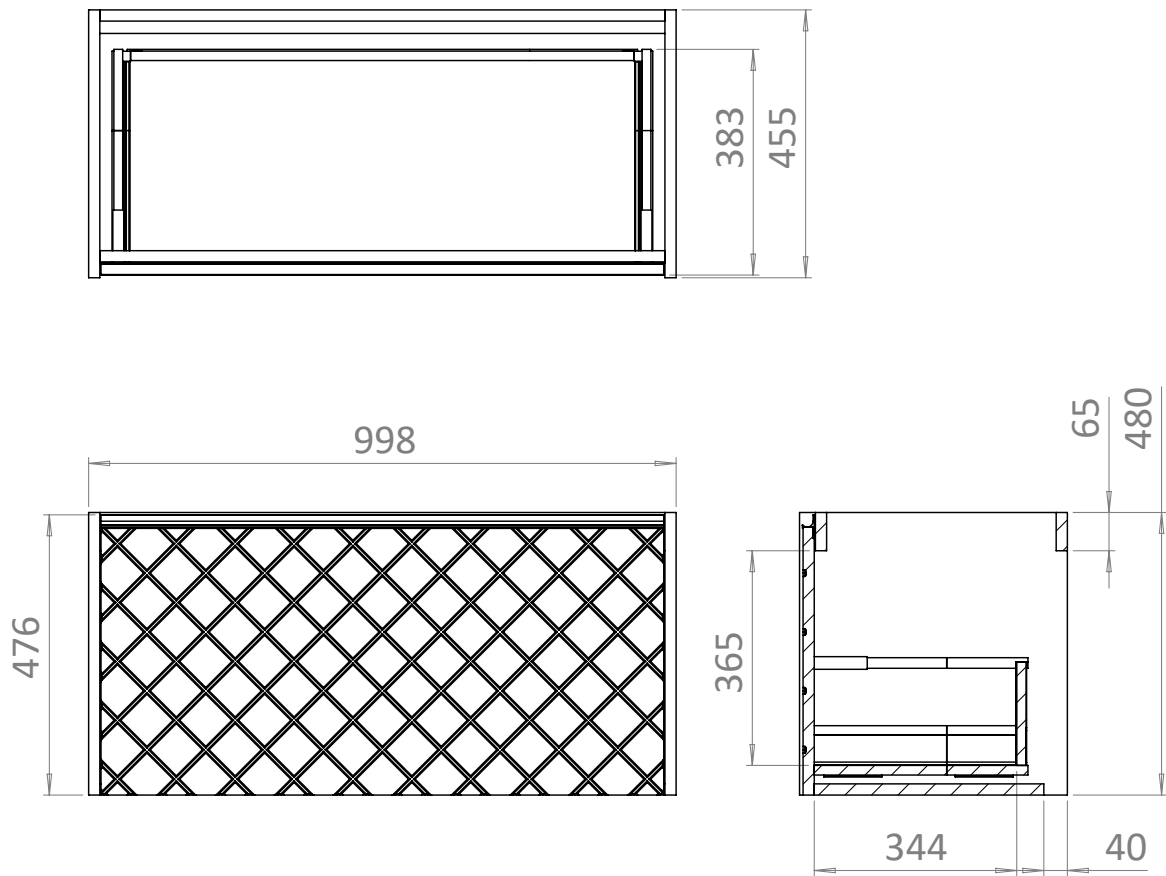
Basin Unit 1000mm Sage Green

<b>COLOUR</b>	Sage Green
<b>COLOUR CODE/ REFERENCE</b>	Crosswater Exclusive
<b>MATERIAL</b>	MDF
<b>STANDARDS</b>	EN 13986 EN 14749
<b>INSTALLATION TYPE</b>	Wall-Mounted
<b>DRAWER BOX</b>	Metal Drawer Box
<b>DRAWER RUNNERS</b>	InnoTech Atira - Soft Close, Pull To Open
<b>DRAWER EXTENSION</b>	Full Extension
<b>DRAWER ADJUSTMENT</b>	3 Way
<b>DRAWER CAPACITY</b>	30kg
<b>WALL HANGERS</b>	InnoTech Atira - Factory Fitted 100kg Load Capacity Per Pair On A Solid Wall 2 Way Adjustment
<b>ADJUSTABLE FEET</b>	No
<b>WEIGHT</b>	27kg
<b>WARRANTY</b>	10 Years

## TECHNICAL DIMENSIONS

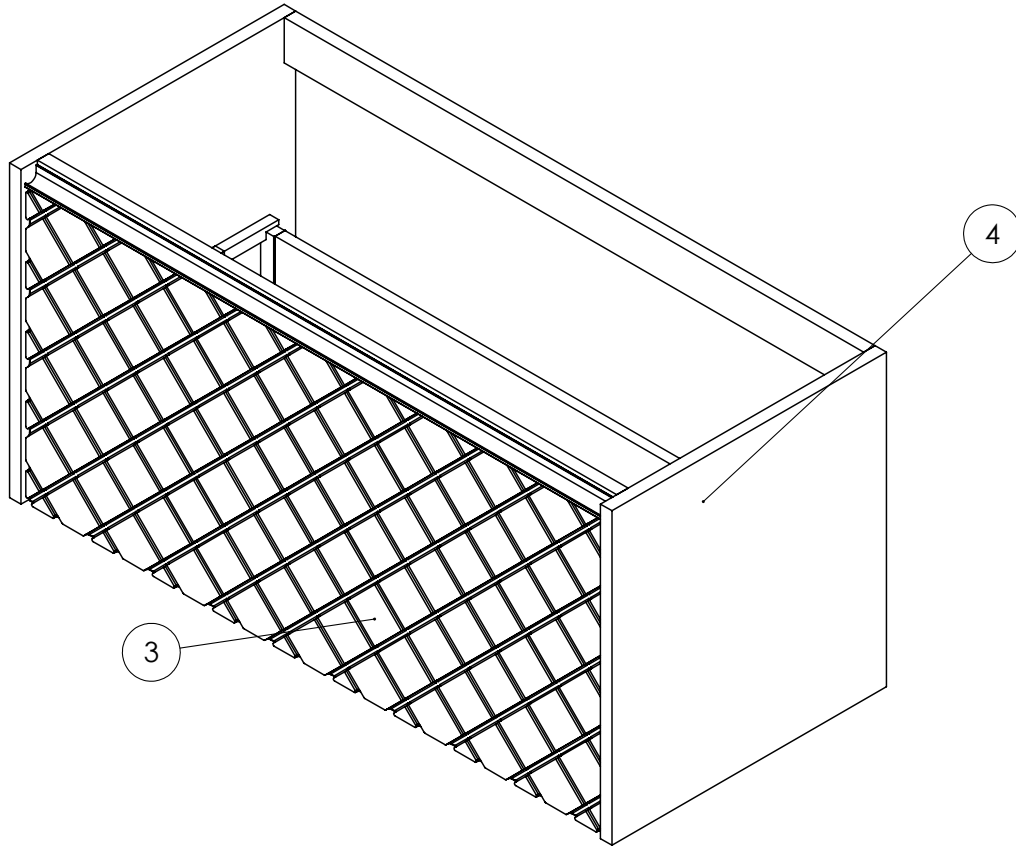
Dimensions in mm unless otherwise specified.

Tolerances (per material type) apply.



V10522

## SPARES DIAGRAM



NUMBER	PART CODE	DESCRIPTION
1	RUNNERSVERGO	Vergo Set of Drawer Runners x2 All Units
2	WBRACKETSVERGO	Vergo Wall Brackets x2
3	TDF_VG1000DWM	Vergo Drawer Front Only for VG1000DWM
	TDF_VG1000DBM	Vergo Drawer Front Only for VG1000DBM
	TDF_VG1000DMS	Vergo Drawer Front Only for VG1000DMS
4	DRAWER_VG1000Dxx	Vergo Dower Box Complete No Front VG1000Dxx

Only the parts labelled are available as spares.

V11022