

# PRODUCT DATA SHEET

crosswater<sup>®</sup>



## PRODUCT CODE

CAIDFC0900

## RANGE

Clear 6

## DESCRIPTION

Clear 6 Infold Door 900 Brushed Brass

WEBSITE LINK [Click Here](#)

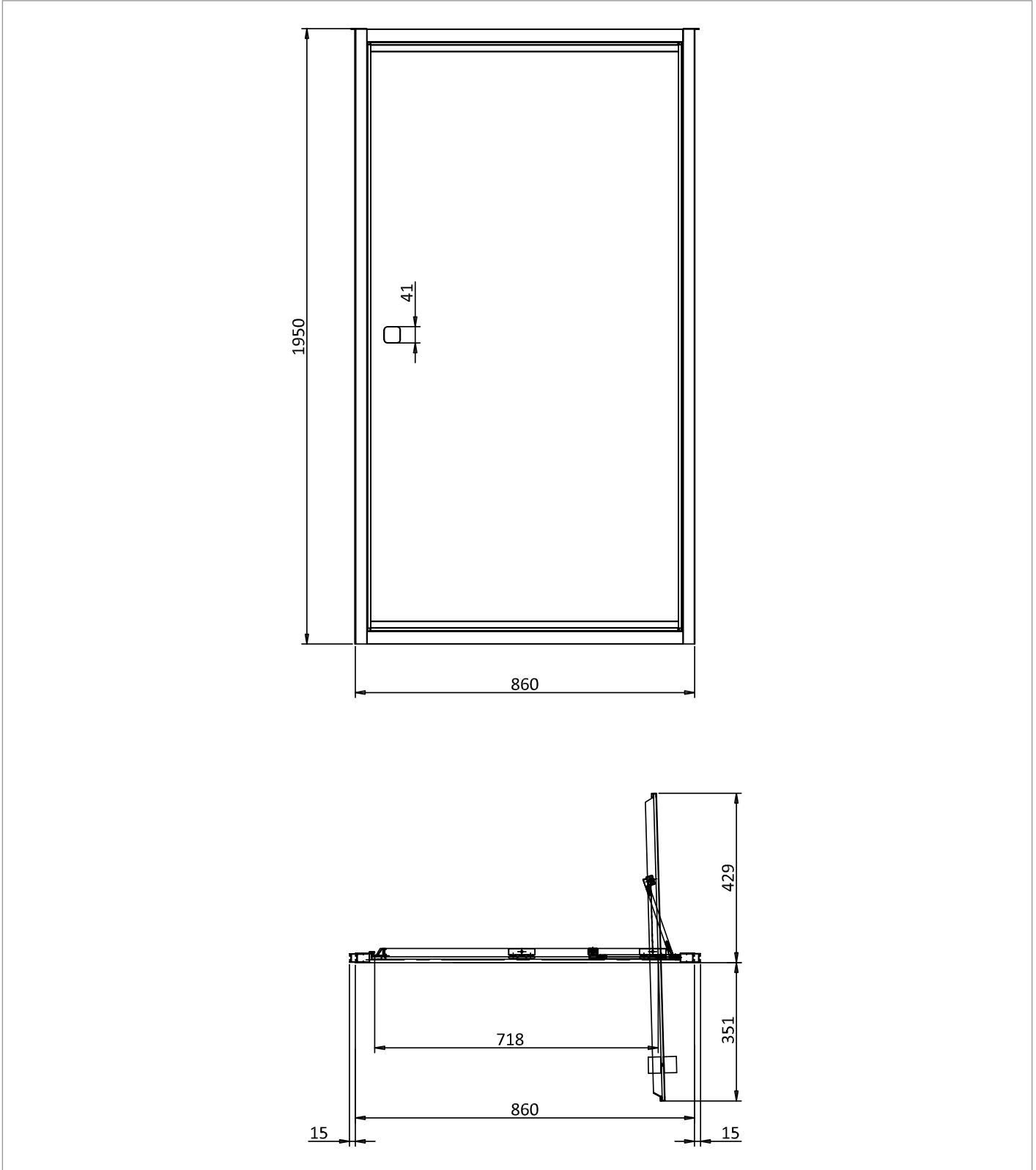
CATEGORY	Showering
WARRANTY DETAILS	Lifetime
COLOUR	Brushed Brass
FINISH APPLICATION	Anodised
PRIMARY MATERIAL	Glass
INSTALL TYPE	Wall Mounted
PRODUCT WIDTH MM	860
PRODUCT HEIGHT MM	1950
PRODUCT NET WEIGHT KG	29
STANDARDS	EN14428

HANDING SHOWERING	Universal
GLASS THICKNESS	6mm
EASY CLEAN	Yes
MAGNETIC DOOR STRIPS	Yes
POWER SHOWER PROOF	Yes
NUMBER OF DOORS	1
SOFT CLOSING DOORS	No
SAFETY GLASS	Yes
REMOVABLE SEALS	Yes
QUICK RELEASE ROLLERS	No
WET ROOM COMPATIBLE	Yes
DOOR A INFORMATION	Infold door
DOOR OPENING	718mm
DOOR ADJUSTMENT	860-890mm

## TECHNICAL DIMENSIONS

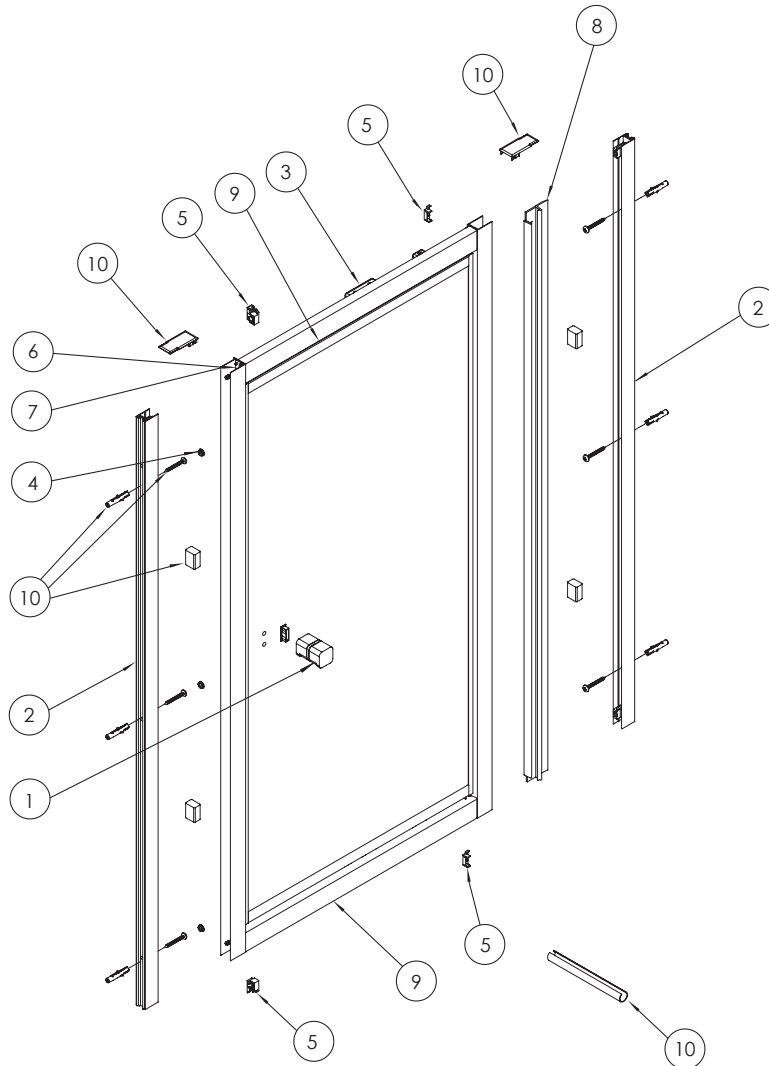
Dimensions in mm unless otherwise specified.

Tolerances (per material type) apply.



## SPARES LIST

Only the parts labelled are available as spares.



NUMBER	PART CODE	DESCRIPTION
1	CA600006F	Clear Handle All Models x1 Br Brass
2	CAPROFILEF	Clear Wall Profile Br Brass
3	CA600021F	Clear Infold Rollers x2 Br Brass
4	CA000036F	Clear 6 Screw Cover All Doors Br Brass x3
5	CA600022F	Clear Infold Covers G-H-I-J Br Brass
6	CA600004F	Clear Lock Cover x4 Br Brass
7	ET0000031	Clear 6 Locking Levers
8	CA600025	Clear Infold Door Long Seal 1868mm
9	CA600024	Clear Infold Door Top/Bottom Seal 884mm
10	CAINFOLDPACKF	Clear 6 Install Pack Infold Br Brass