

INSTALLATION INSTRUCTIONS

crosswater[®]
SHOWERING

IMPORTANT - Please read before installation

Please read these instructions carefully before starting installation and keep in a safe place for future reference.

Check the contents of the pack carefully before installation. Simpsons will not be held responsible for any de-fit / re-fit costs where faulty product has been fitted.

If any fault is found with materials or workmanship, it must be reported immediately to the manufacturer. Remedial action will be taken, based on information received, on condition that:

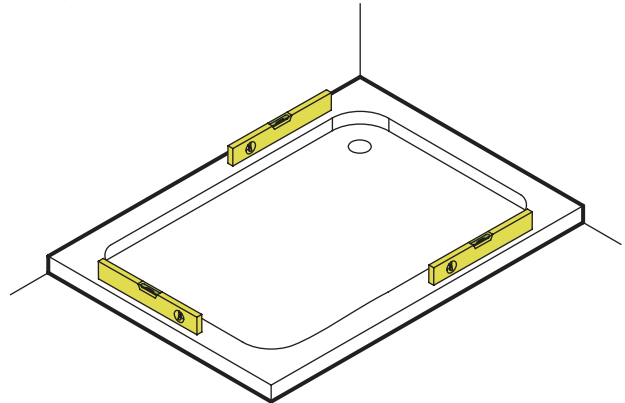
1. Full details are supplied to the manufacturer;
2. The enclosure has not been modified or tampered with;
3. The manufacturer is informed of any damage/shortages prior to installation.

We do not accept responsibility for any problems that may occur through incorrect installation.

The success of the installation and operation of any shower enclosure is, of course, dependant on the squareness, alignment and construction of the walls to which fixing is to be carried out.

VERY IMPORTANT

You must complete all tiling and grouting, and the shower tray **MUST** be level and fully sealed to the tiles before installation. If you do not fit the enclosure onto a tiled surface, or seal the tiles to the tray before installation, water may soak into the wall behind the wall channels.



INSTALLATION - Advice and safety

The installation instructions are based on typical use and conditions.

This product comes with the wall channel pushed onto the glass panel frame.

The door is designed to open inwards only.

These hints have been prepared for your guidance, you must exercise due care at all times.

For Health and Safety 2 people must carry out the installation of this enclosure.

Handle glass with care. Although the glass supplied is toughened safety glass (EN12150), impacts can damage both the glass and the frame.

Warning!

Please check for any hidden pipes or cables before drilling holes in the wall.

To stop the drill bit slipping, masking tape can be applied to the tiles when preparing the holes.

When using power tools always follow the manufacturers user instructions.

Do not sit the enclosure on a bed of silicone, as this will also stop any water from draining back into the tray.

DO NOT SEAL THE ENCLOSURE TO THE TRAY ON THE INSIDE.

If the enclosure is sealed to the tray on the inside, any water that may get into the framework will not be able to drain back into the tray, this may cause the enclosure to leak.

Leave the silicone sealant to dry for 24 hours before using the enclosure.

CARE AND CLEANING

Do not use solvents or abrasive material or chemicals to clean the enclosure.

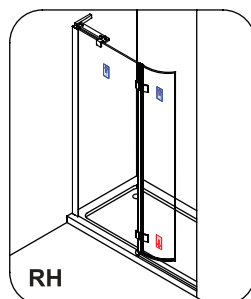
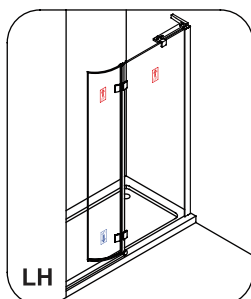
Only clean using soapy water and a soft cloth, rinse thoroughly afterwards.

INSTALLATION - Left and Right hand

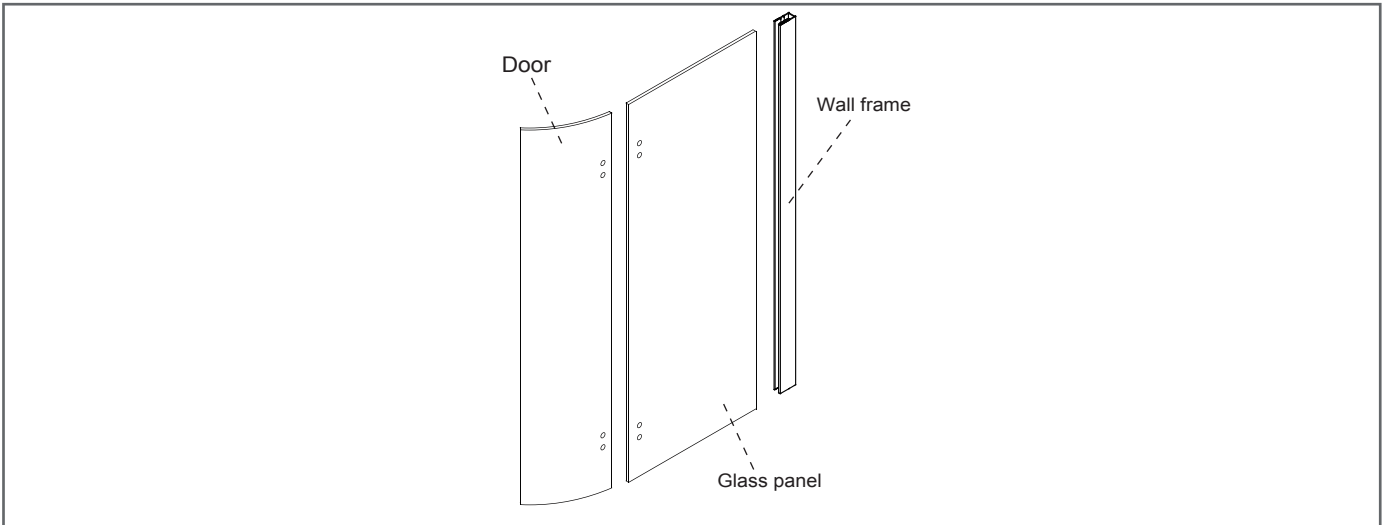
These products are reversible for left or right hand opening.


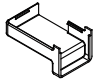


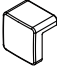




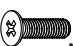
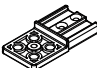
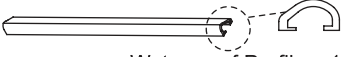

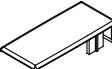


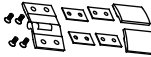
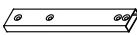

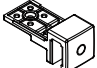



Please follow the diagram, and detailed below for your choice of installation.

- Left entry, The “up” arrow on the glass should be in red, and be on the outside of the enclosure.
- Right entry, The “up” arrow on the glass should be in blue, and be on the outside of the enclosure.



CONTENTS



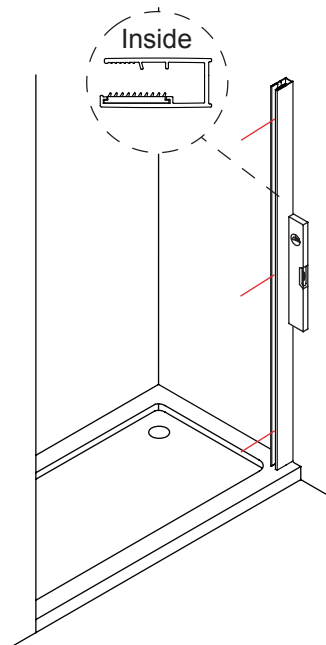
A	 ST4 *40mm Screw x 2	J	 Cap I (RH) x 1	S	 End Part x 1
B	 ST4 *40mm Screw x 3	K	 Cap II x 1	T	 End Part x 1
C	 Wall Plug x 5	L	 Cap III x 1	U	 Cover x 2
D	 M4 *8mm Screw x 5	M	 Fixed Part x 1	V	 Waterproof Profile x 1
E	 Wall Bracket x 1	N	 Cover x 1	W	 Allen Key 4mm x 1
F	 Wall Bracket Cover I x 1	O	 Hinge x 2		
G	 Support Bar x 1	P	 Waterproof Strip x 1		
H	 Glass Clamp x 1	Q	 Bottom Waterproof strip x 1		
I	 Cap I (LH) x 1	R	 Wall frame sealing strip x 1		

Tools and equipment needed

Drill, 6mm Masonry drill bit, 3.2mm General drill bit, Philips screwdriver, Spirit level, Pencil, Tape measure, Silicone sealant.

Step 1 - FITTING AND POSITIONING WALL CHANNEL

⚠ REFER TO PAGE ONE FOR YOUR CHOICE OF INSTALLATION - LEFT OR RIGHT!

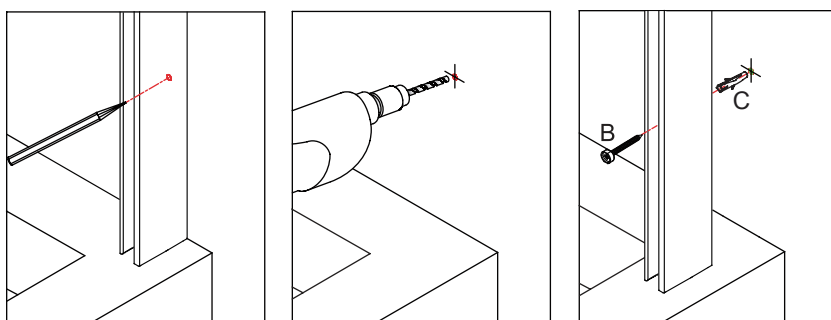


Remove the wall channel from the glass panel frame. Place the wall channel in position on the tray (10 - 15mm in from the outer edge of the tray), use a spirit level to ensure it is vertical and mark all 3 fixing holes onto the wall.

Drill holes in the positions marked using a 6mm masonry drill bit. Insert wall plugs (C) into all of the holes (beyond the thickness of the tile).

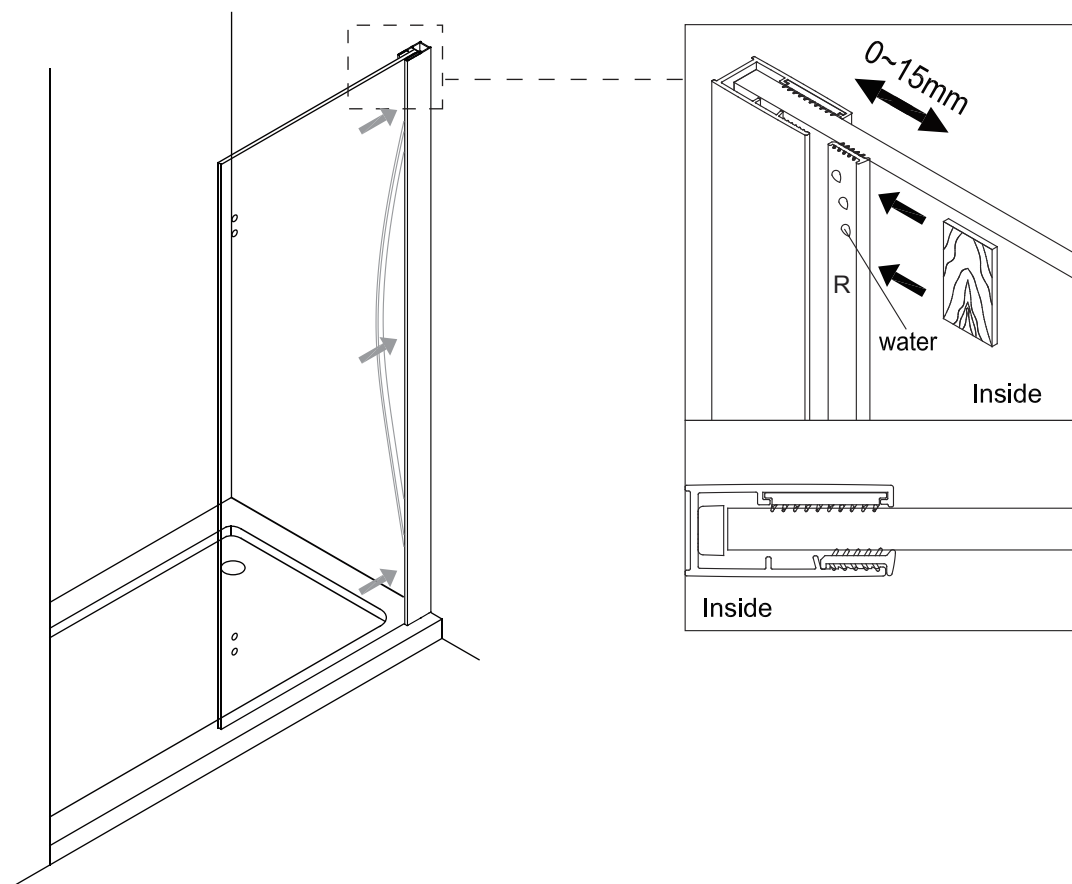
Fix the wall channel to the wall using 3 screws (B).

Note: Inject silicone sealant into the holes before inserting the screws to seal the holes.

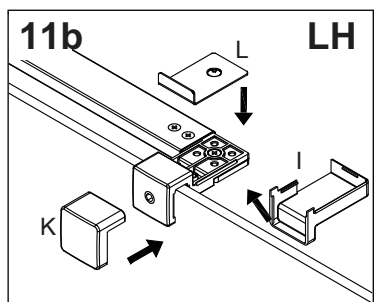
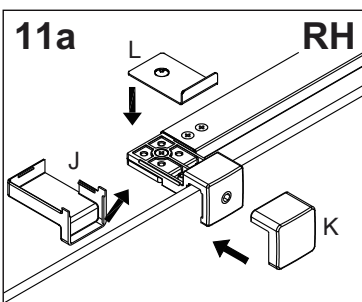
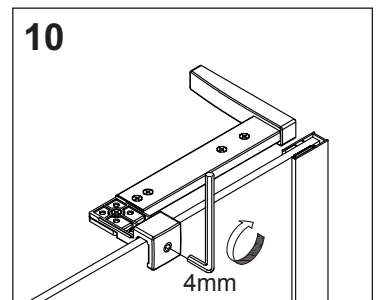
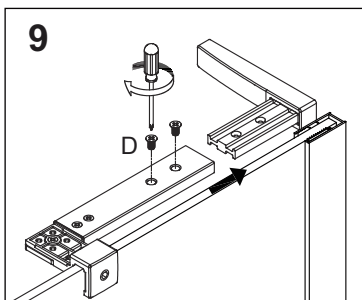
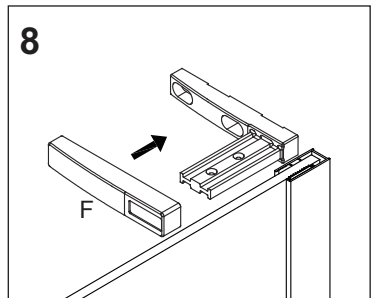
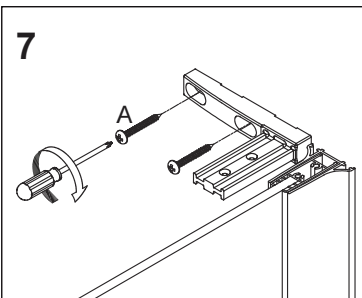
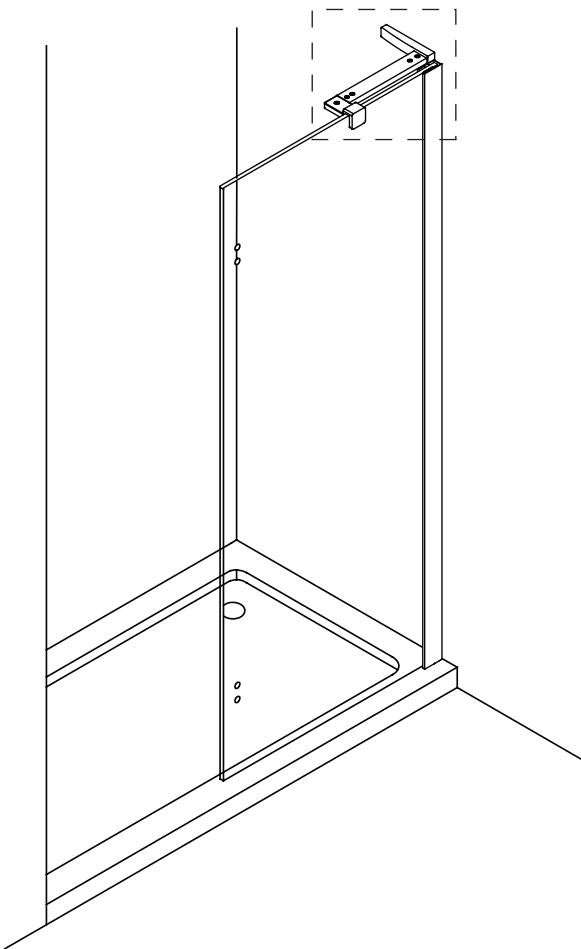
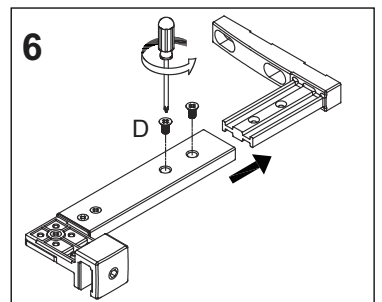
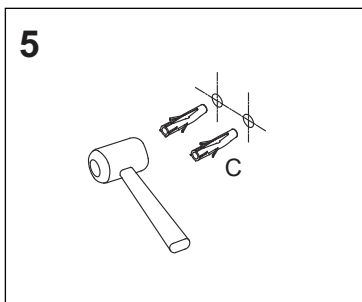
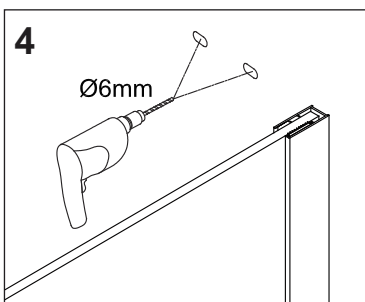
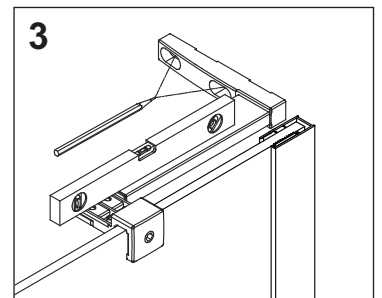
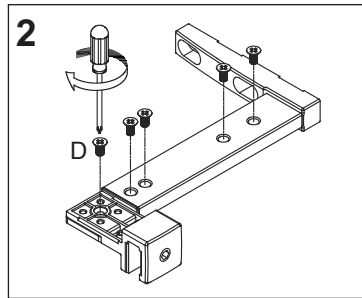
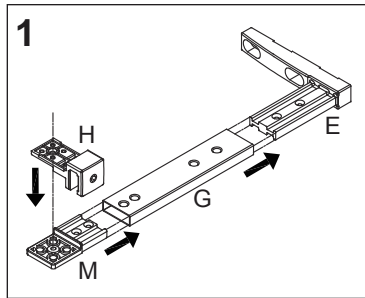


Step 2

Push the glass panel on to the wall channel.

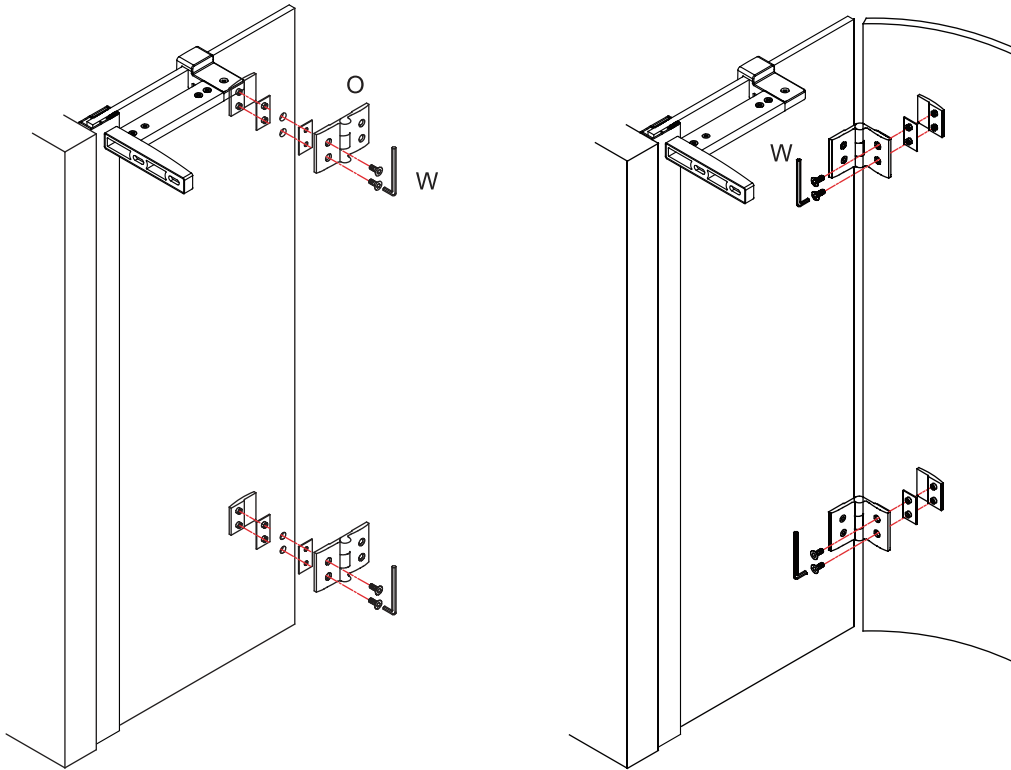


Step 3 - FITTING THE BRACING BAR

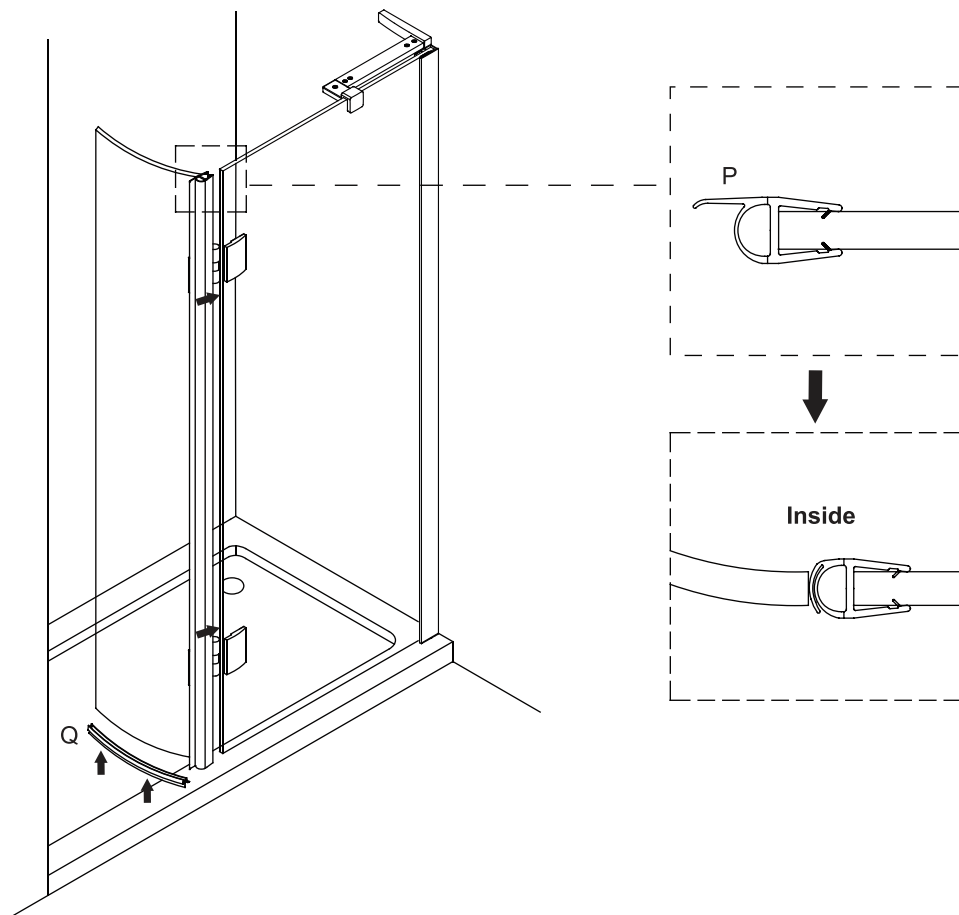


Step 4 - HINGE ASSEMBLY

Fix Hinges to the fixed glass panel. Support door and fix hinges to moving glass. Do not fully tighten.
⚠ Check that the door closes and that the top is aligned with the fixed glass panels. Fully tighten screws with allen key(W).

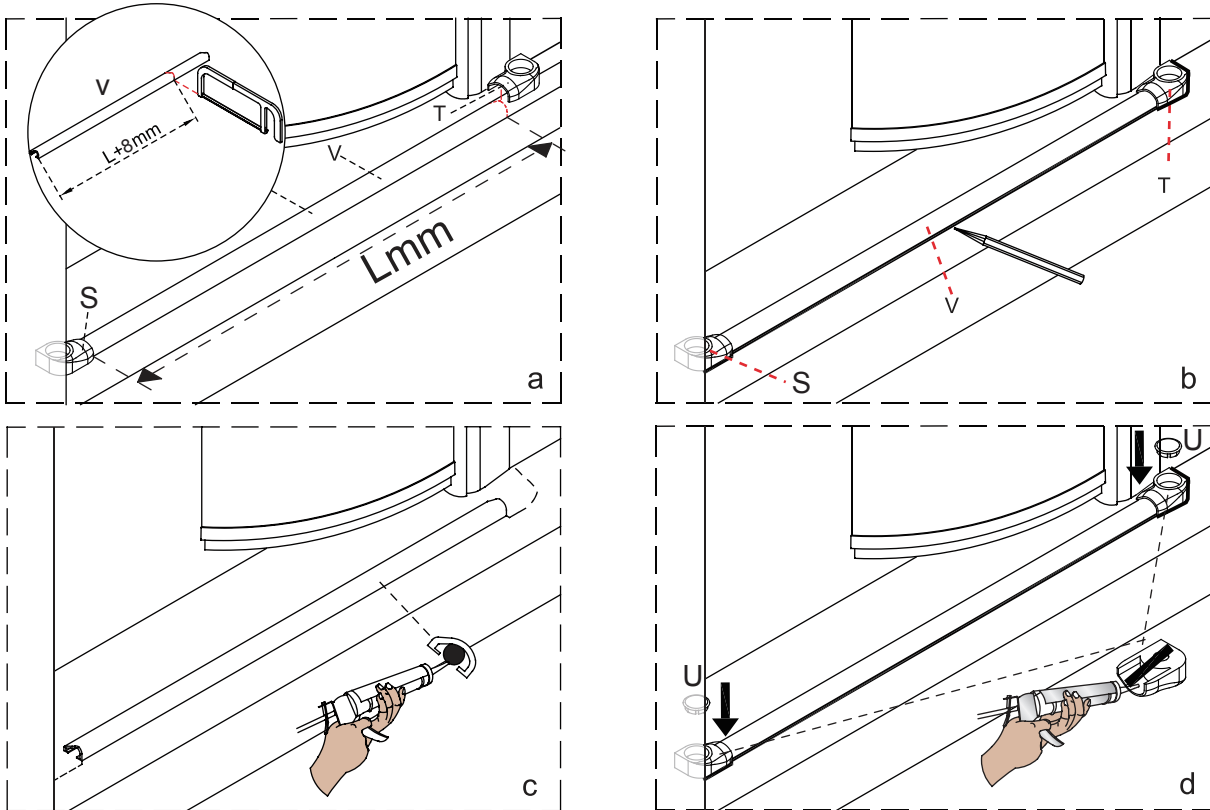


Step 5 - FITTING SEALS

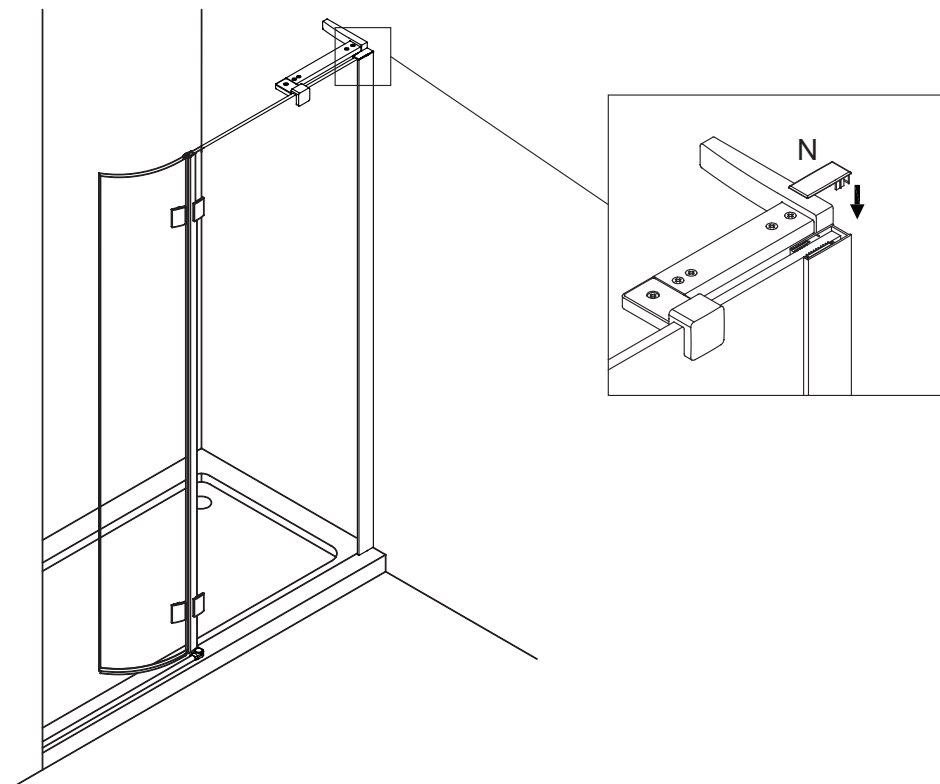


Step 6

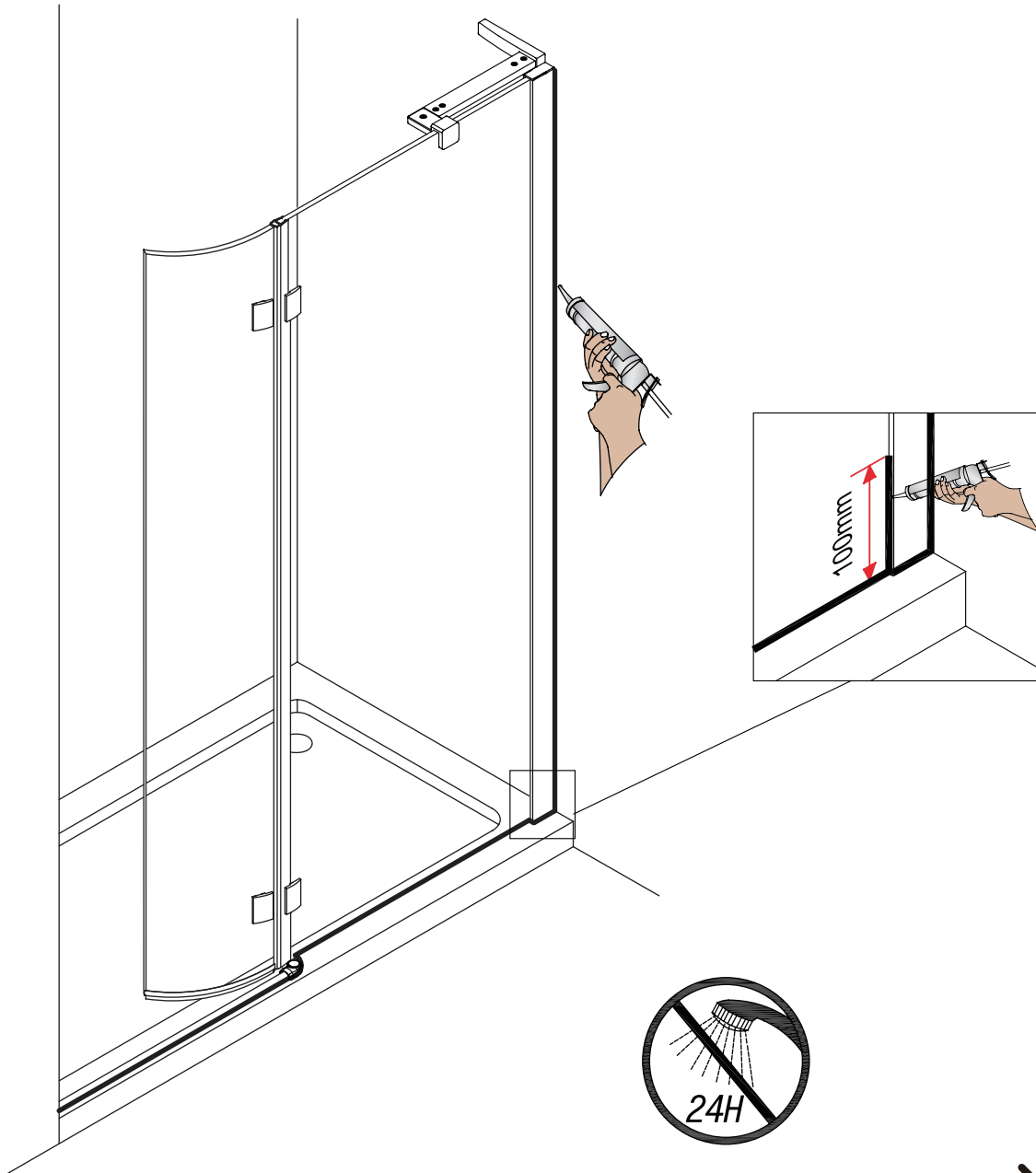
Place the breakwater bar (V) and the two end parts (S,T) on the shower tray.
Using a pencil mark the outline after adjusting the 3 parts fit for the shower tray and door glass.
Spread silicone sealant under the 3 parts, put them on the shower tray following the marked line.



Step 7



Step 8



crosswater[®]
SHOWERING

For any further information please contact Crosswater
Phone number, 0345 873 8840
Website, crosswater.co.uk
Email address, sales@crosswater.co.uk
The manufacturer reserves the right to make technical
modifications without prior notice.