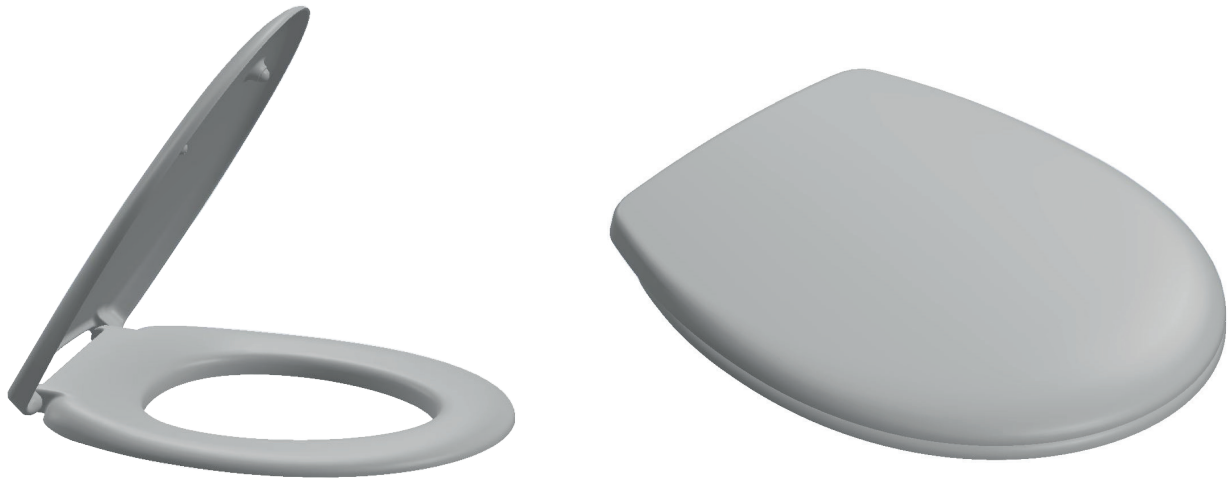


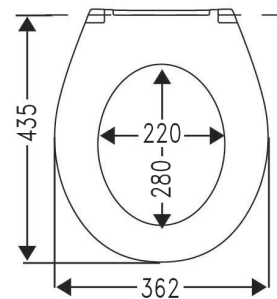
Toilet seat O.novo



Model 8M4361 O.novo toilet seat, incl. 9209 12 61 hinge

Product Description O.novo toilet seat in Semi Wrap Over design made of colour ingrained duroplast with hinges in stainless steel and plastic:

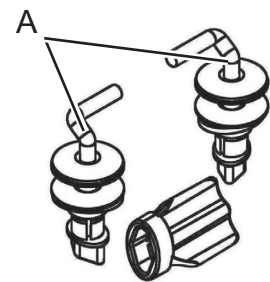
- incl. hinge in stainless steel and nylon
- centre distance: 155 mm
- load of ring seat: 250 kg
- 3 years guarantee



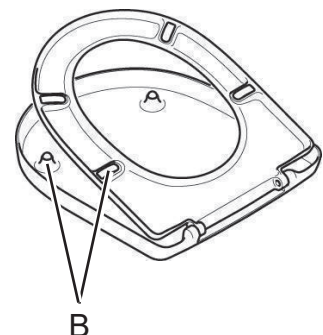
Colour Programme 01 White

Hinge Finish 61 Stainless steel

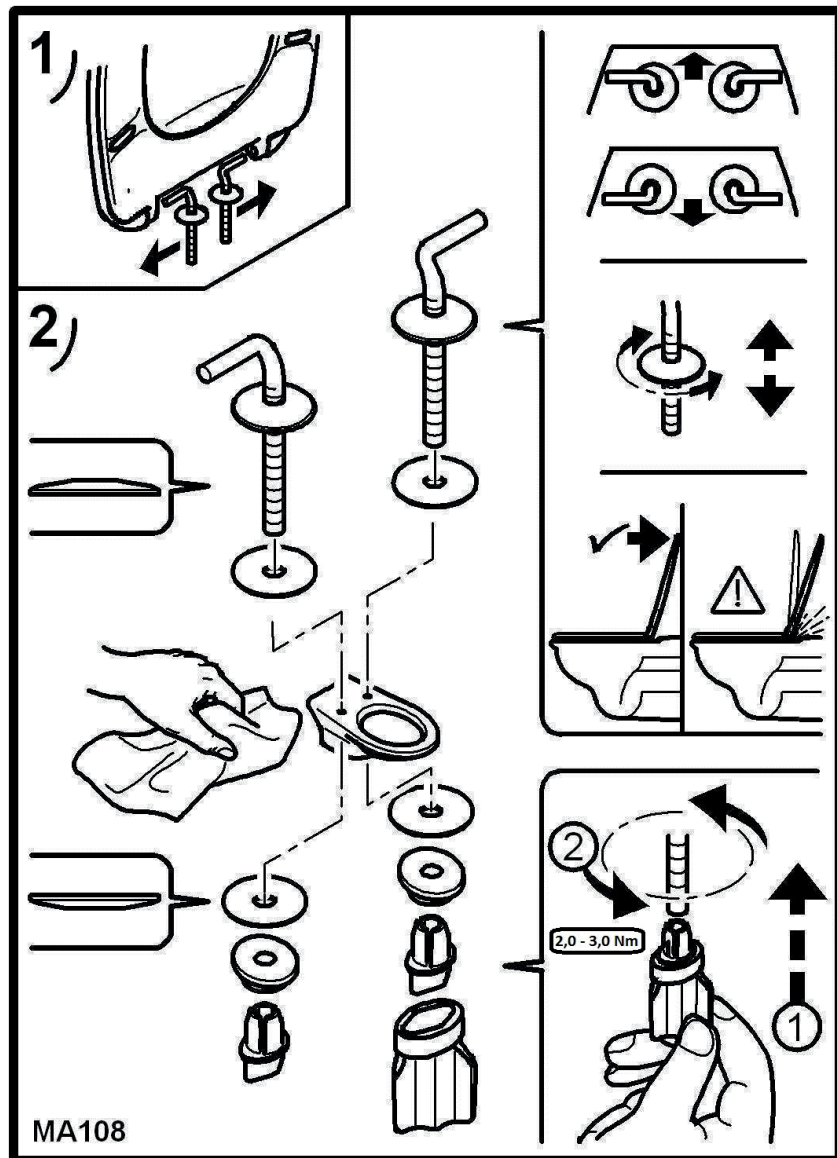
Spare Parts A) 9209 12 61 Hinge in stainless steel and nylon
B) 9224 21 01 Buffer for seat and cover



Cleaning Instructions Use a mild soap solution. Seat and hinges should not be left damp, but be dried with a soft cloth. When using abrasive, corrosive or chlorine based cleaners for the bowl, avoid contact with seat and hinges as it may lead to damages or flash rust. Therefore, when cleaning the bowl, make sure that seat and cover are in an upright position until all the cleaner has been flushed away.



Installation Instructions



Material Description

TOILET SEAT: The material is colour ingrained duroplast (UF A 10 = urea formaldehyde) that contains no environmentally hazardous substances. The body consists of approx. 50% urea (NH_2CONH_2), approx. 25% cellulose and approx. 25% formaldehyde (HCHO), as well as small amounts of various fillers and additives.

BUFFERS: PE (Polyethylene)

HINGES: Stainless steel and nylon

Guarantee

The guarantee includes faults or defects in the material of our products within a period of 3 years. Products subject to minor technical modifications and design deviations E. & O.E.