

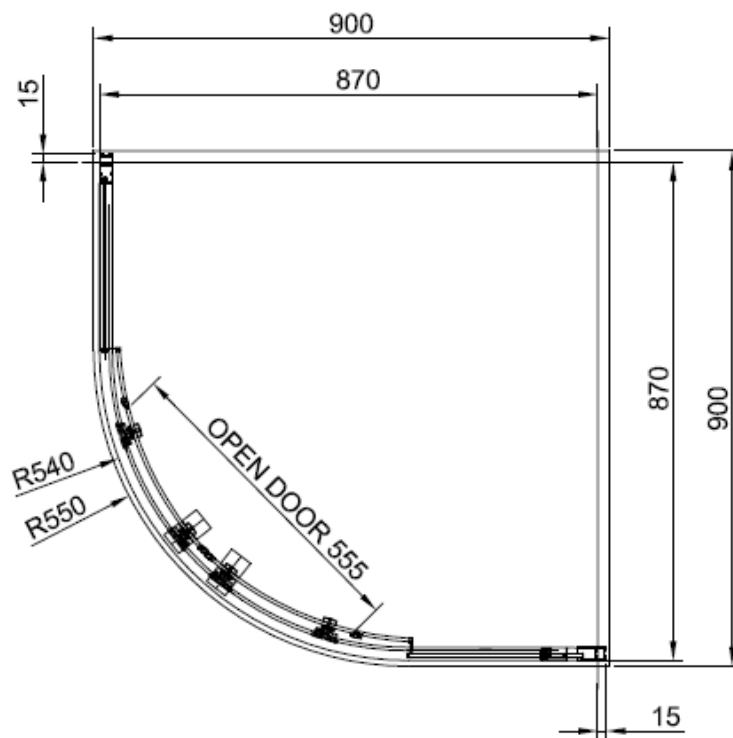
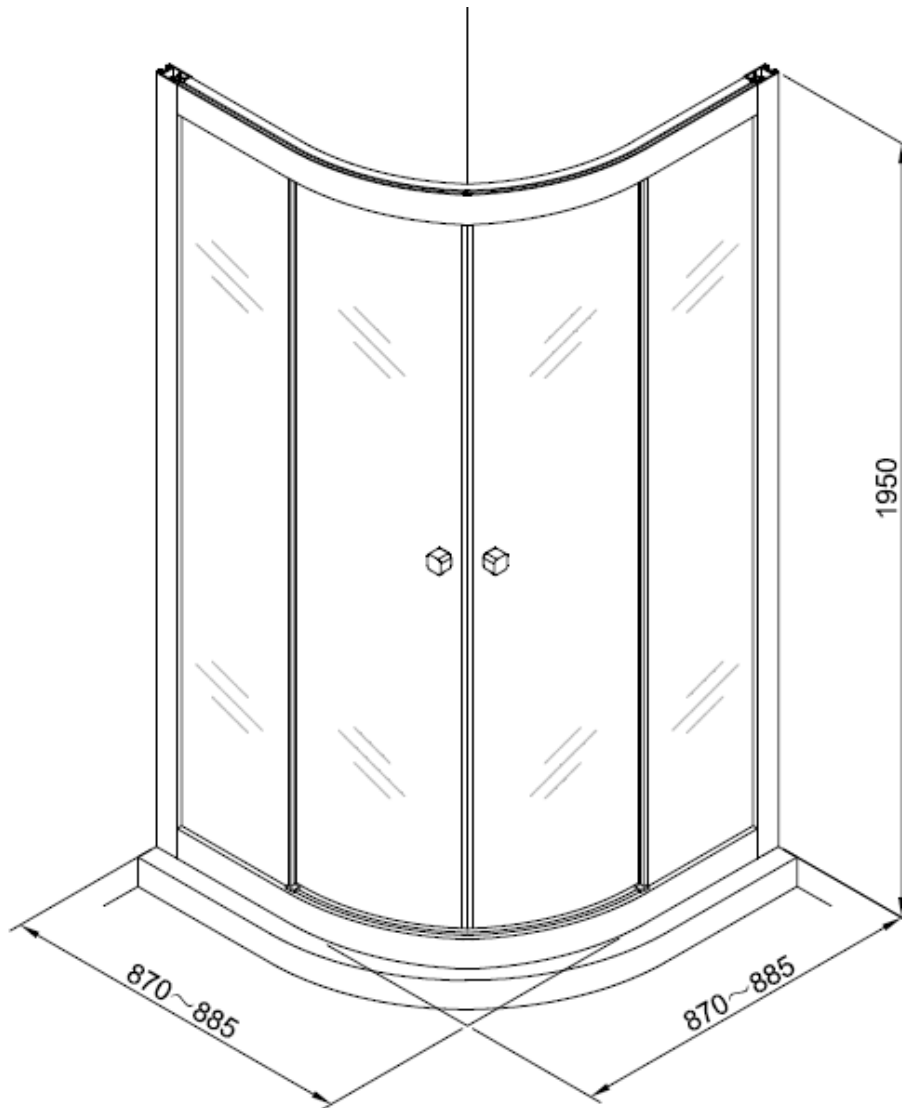
Measurements in millimetres mm

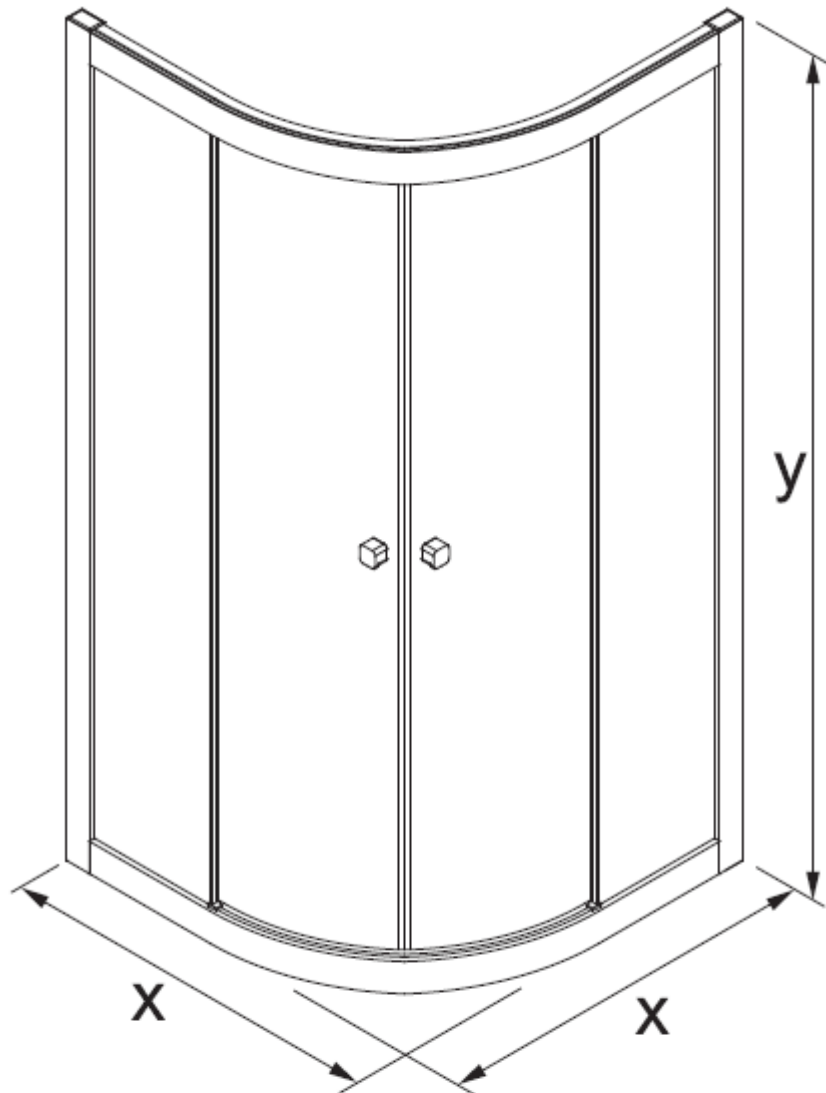
Information updated January 2020

Tel 0345 873 8840

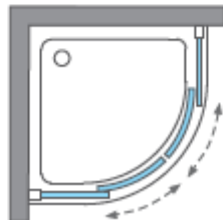
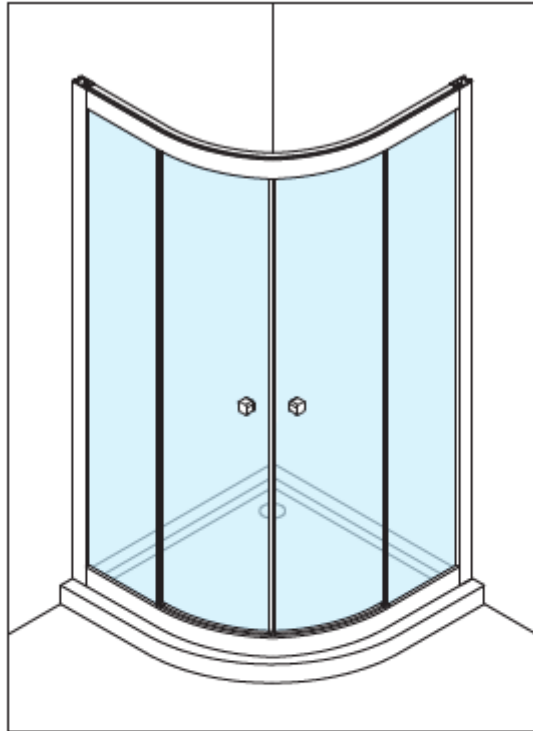
crosswater[™]



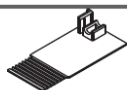


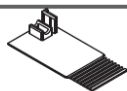




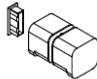
CLEAR 6 DOUBLE DOOR QUADRANT CAQDS0900





Model	X (mm)	y (mm)
CAQDS0800	770~785	1950
CAQDS0900	870~885	1950



<p>A</p>  <p>M4 *40mm Screw x 6</p>	<p>E</p>  <p>Waterproof strip x 2</p>	<p>I</p>  <p>Top Cap x 1</p>
<p>B</p>  <p>M4 *30mm Screw x 8</p>	<p>F</p>  <p>Waterproof strip x 2</p>	<p>J</p>  <p>Top Cap x 1</p>
<p>C</p>  <p>Wall Plug x 6</p>	<p>G</p>  <p>Magnetic strip x 2</p>	<p>K</p>  <p>Spanner x 1</p>
<p>D</p>  <p>Cover x 4</p>	<p>H</p>  <p>Handle x 2</p>	