

Axor Starck Organic
2-handle basin mixer 170 without pull-rod for washbowls
 Surfaces: **chrome** Article Number: **12012000**



Description

product features

- ComfortZone 170
- projection 116 mm
- shower spray
- flow rate: 3.5 l/min
- flow rate booster: 5 l/min
- adjustable spray former
- ceramic cartridge for temperature control
- ceramic valve for volume control
- separation of temperature and volume control
- temperature limitation adjustable
- with isolated water conduction
- non-closing flush grated valve
- suitable for continuous flow water heaters
- connection dimension: DN15

Optional Accessoires

- Flowstar design trap set (#52120XXX)

Technology



Design awards



reddot design award
 best of the best 2013

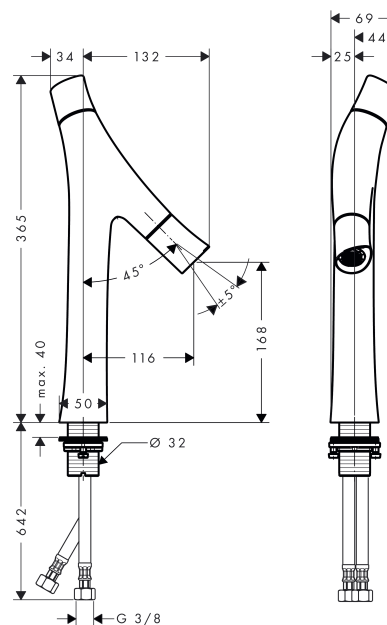
Certificates



Product image



Scale drawing



Axor Starck Organic
2-handle basin mixer 170 without pull-rod for washbowls
Surfaces: **chrome** Article Number: **12012000**



Flowchart

