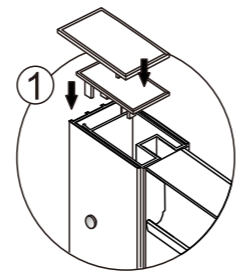
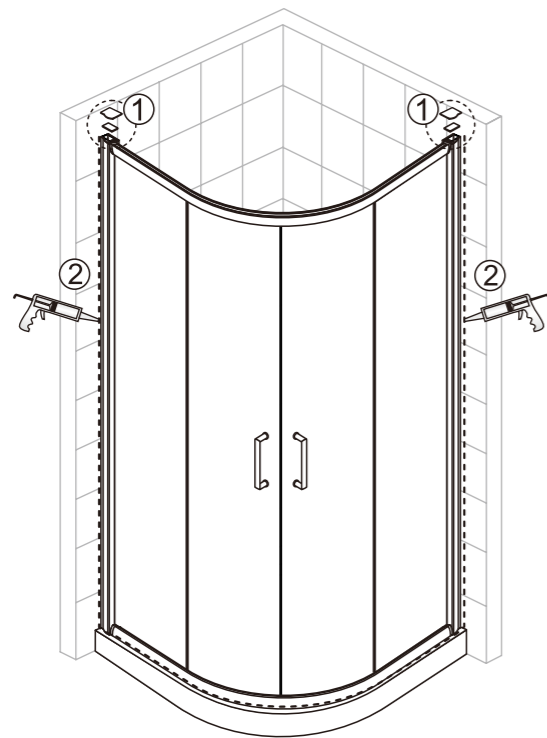


Step 7



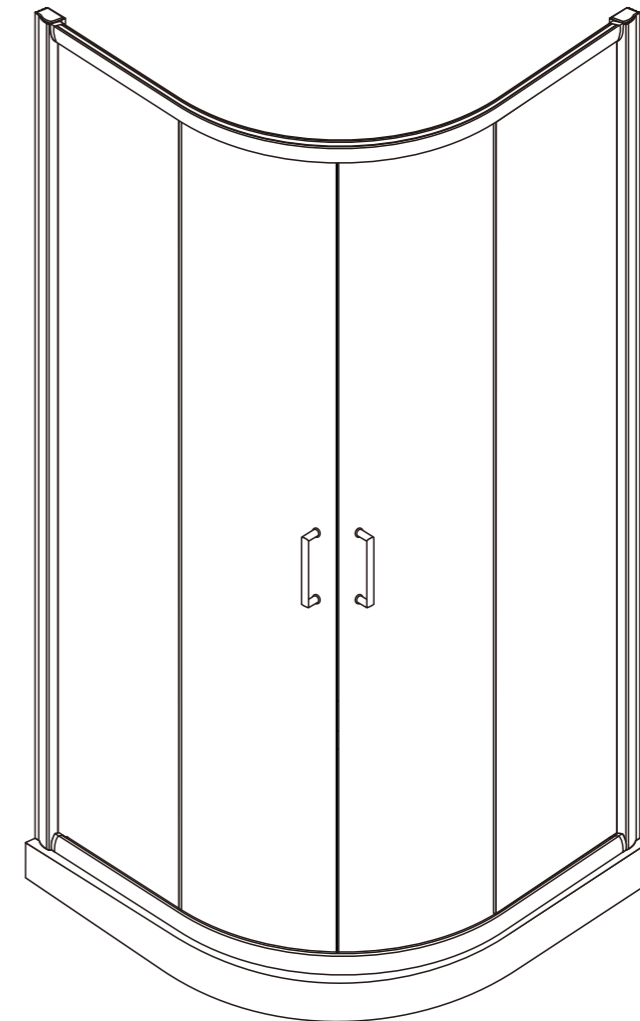
View from inside



Allow 24 hours for silicone to dry before use.

# INSTALLATION INSTRUCTIONS

## SW6323



Size: 900xX900X1950mm

## ◆ General Information

Please inspect the product immediately upon receipt for transit damage, missing packs/parts or manufacturing fault. Damage reported later cannot be accepted. Please handle the product with care avoiding knocks and shock loading to all sides and edges of the glass.

### Notes: Safety glass can not be re-worked.

Please read these instructions carefully before start of installation.

Special care should be taken when drilling walls to avoid hidden pipes or electrical cables.

Note: This product is heavy and may require two people to install.

### Aftercare instructions

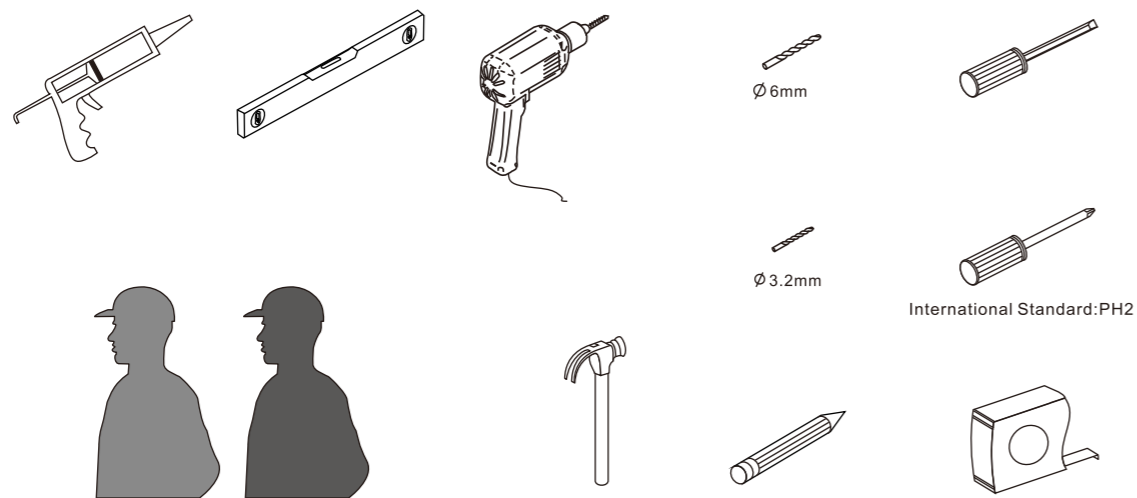
After use, your shower should be cleaned with soap and water. This is particularly important in hard water districts where insoluble lime salts may be deposited and allowed to build up.

Cleaners of a gritty or abrasive nature should not be used. Care should be taken to avoid contact with strong chemicals such as organic solvents and strippers.

Glass cleaners can be used but with caution, if in doubt contact the manufacturer of the cleaner in question.

Please keep these instructions for aftercare and customer service details.

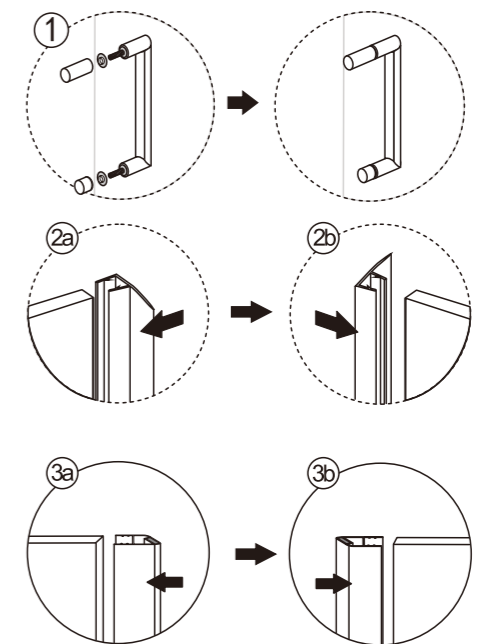
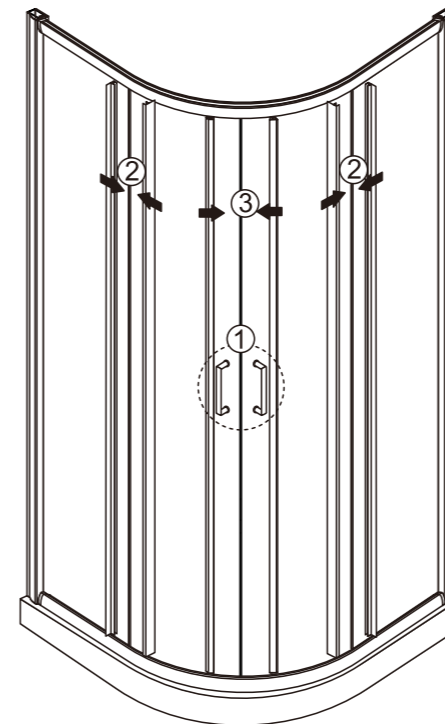
### Tools Required



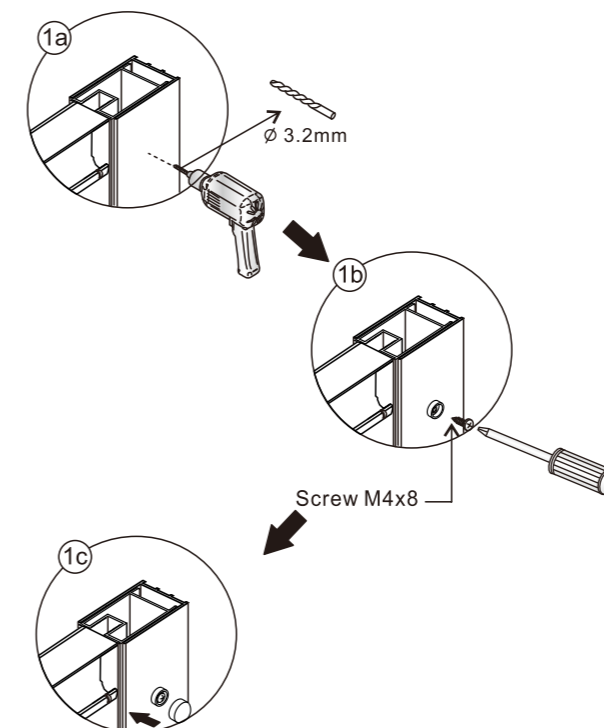
This product is heavy and may require two people to install.



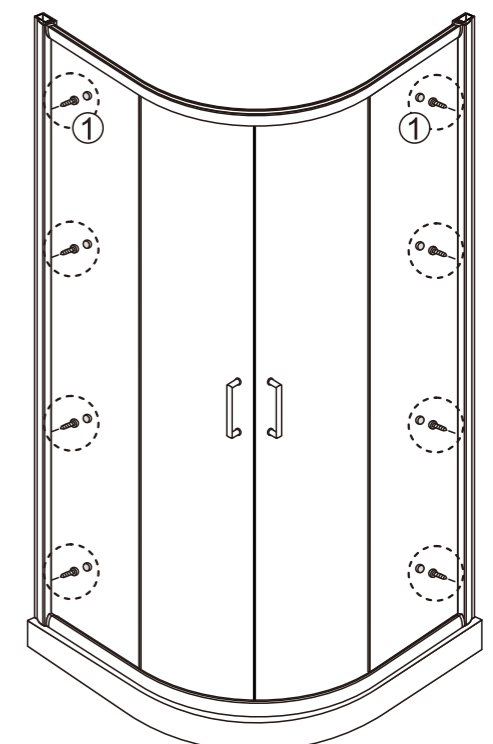
## Step 5



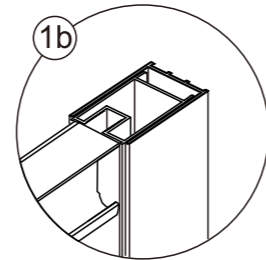
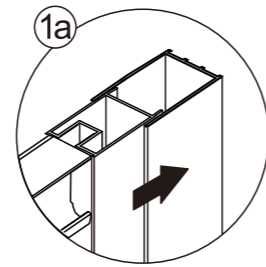
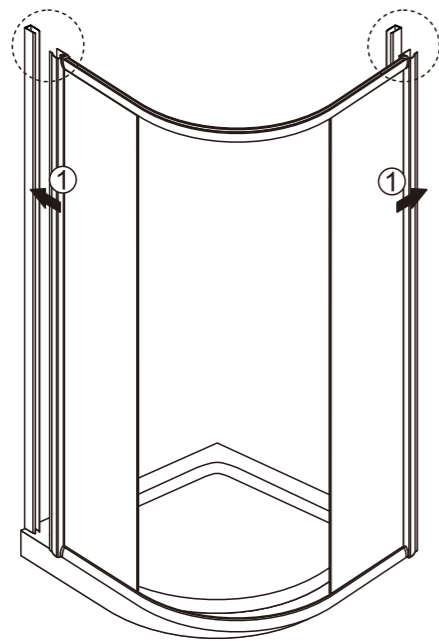
## Step 6



View from inside

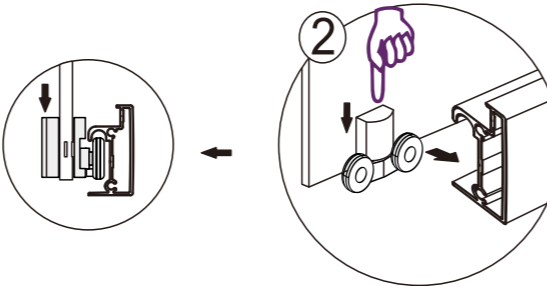
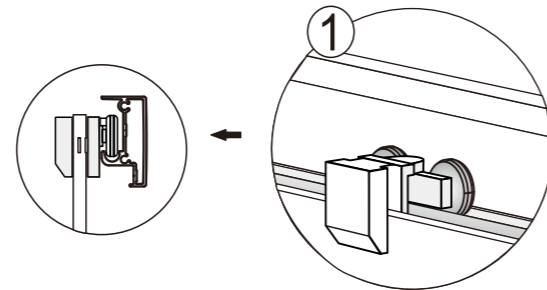
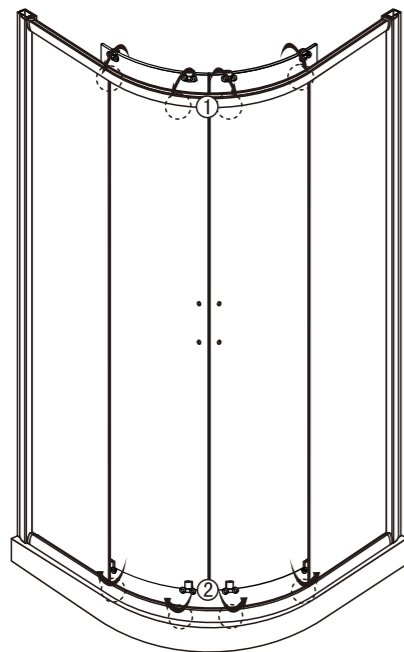


### Step 3



View from inside

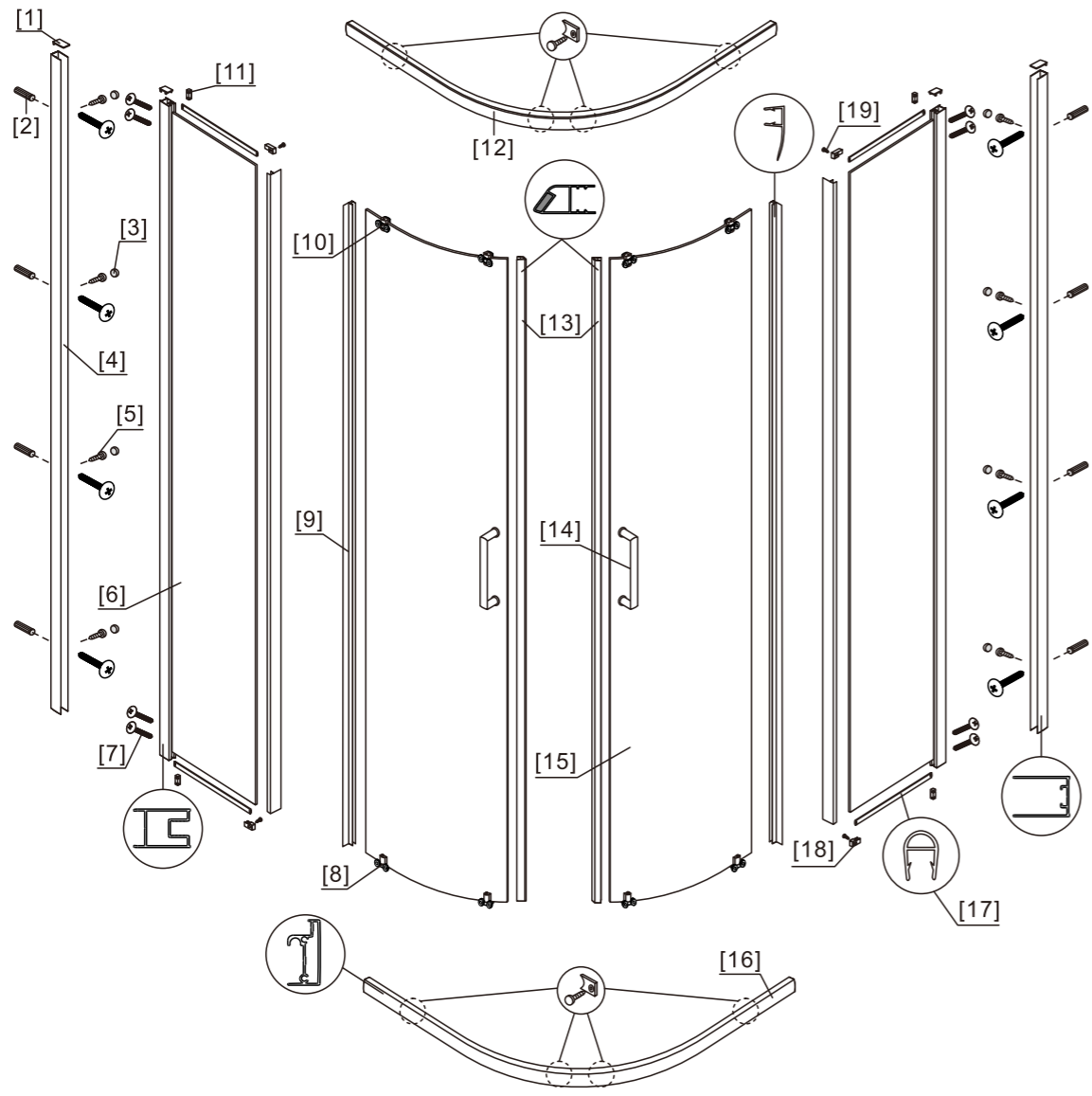
### Step 4



### ◆ Box Contents:

[1] 1xTop Horizontal Rail. 1xBottom Horizontal Rail. 4xScrews M4x35. 1xLube.	→	
[2] 1xInstallation Instruction.	→	
[3] 2xHandle Sets.	→	
[4] 4xBumpers. 4xScrews M4x12.	→	
[5] 4xProfile Covers. 4xBumpers.	→	
[6] 8xWall Plugs. 8xScrews M4x35.	→	
[7] 8xScrews M4x8. 8xScrew Cover Caps.	→	
[8] 2xWall Posts.	→	
[9] 4xWater Deflectors. 4x`U` Deflectors.	→	
[10] 2xMagnetic Seals.	→	
[11] 2xFixed Panels.	→	
[12] 2xDoor Panels.	→	

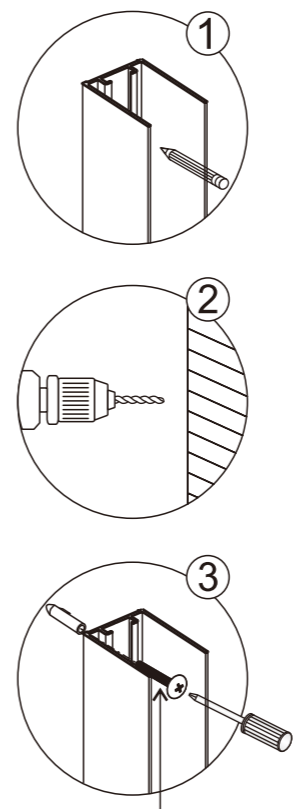
# ◆ Assembly Drawing



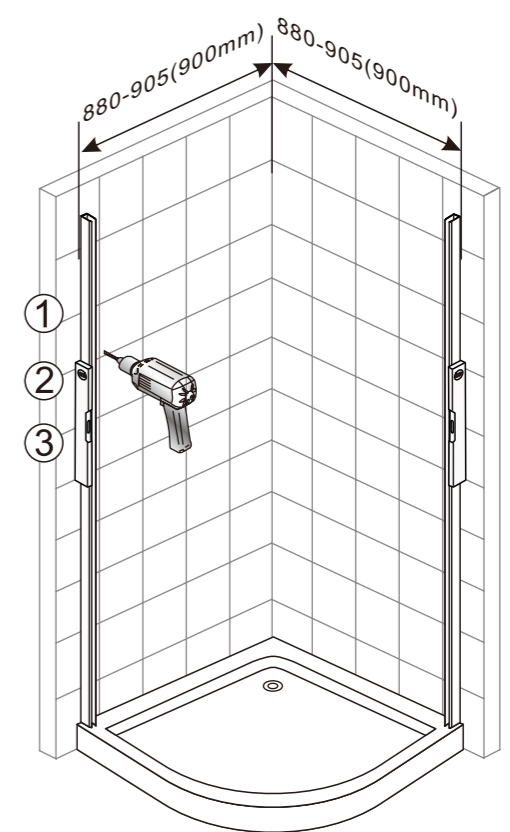
- |                         |                               |
|-------------------------|-------------------------------|
| [1] 4xProfile Covers    | [10] 4xTop Rollers            |
| [2] 8xWall Plugs        | [11] 4xBumpers                |
| [3] 16xScrew Cover Caps | [12] 1xTop Horizontal Rail    |
| [4] 2xWall Posts        | [13] 2xMagnetic Seals         |
| [5] 8xScrews M4x8       | [14] 2xHandle Sets            |
| [6] 2xFixed Panels      | [15] 2xDoor Panels            |
| [7] 16xScrews M4x35     | [16] 1xBottom Horizontal Rail |
| [8] 4xBottom Rollers    | [17] 4xWater Deflectors       |
| [9] 4xWater Deflectors  | [18] 4xBumper Blocks          |
|                         | [19] 4xScrews M4x12           |

# ◆ Installation Steps

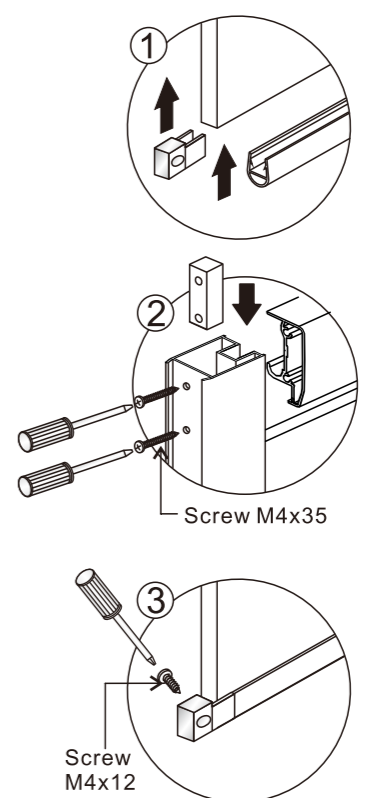
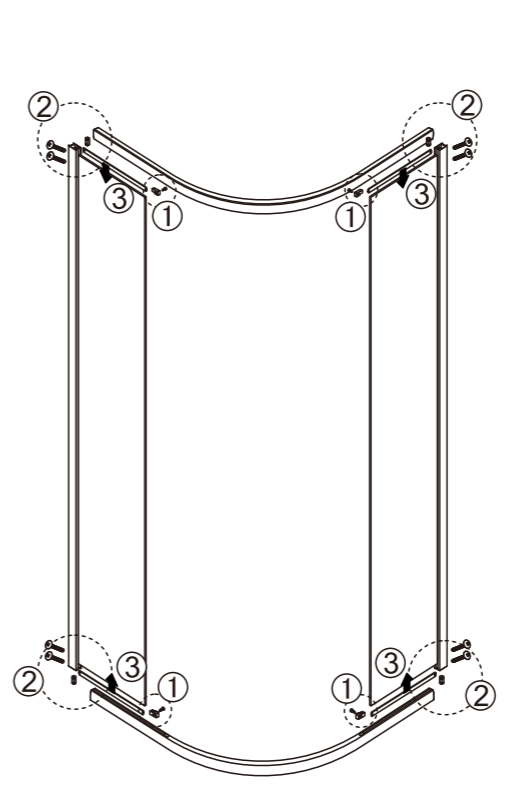
## Step 1



Screw M4x35



## Step 2



Screw M4x12