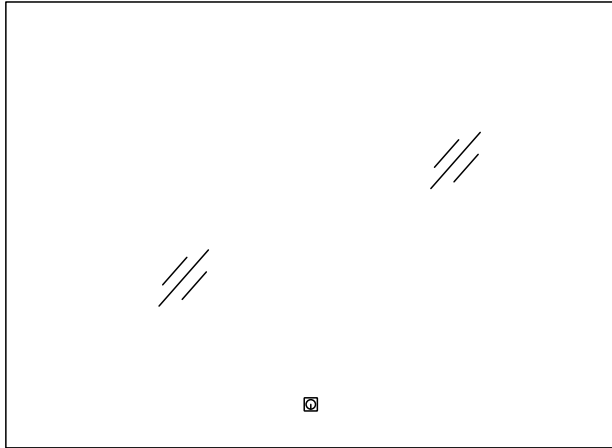


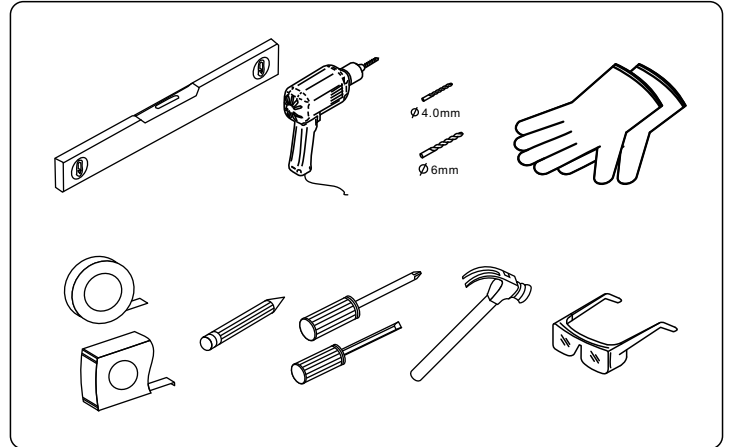
INSTALLATION INSTRUCTION

SW238212	600*700*40mm
SW238213	800*700*40mm
SW108326	1000*700*40mm
SW238214	1200*700*40mm

● Mirror diagram



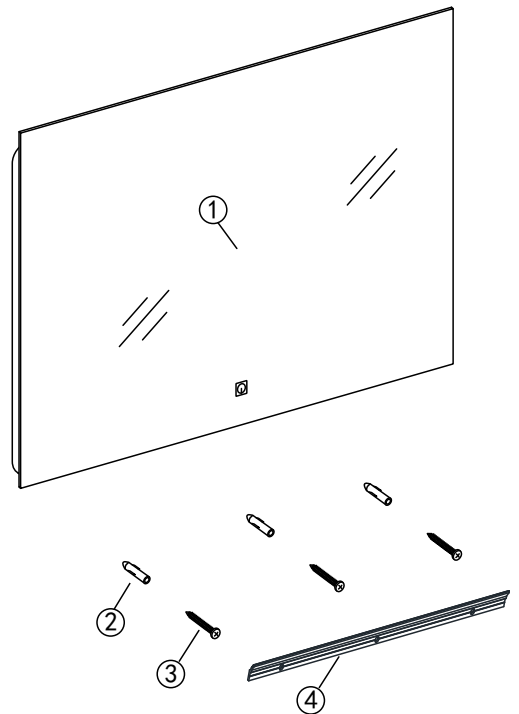
● Tools required



● Process reference

- Please read this instruction carefully, in order to familiar with the required tools, materials and installation procedures. Please comply with the applicable sections to install product, to avoid unnecessary loss, in addition to relevant correct installation method, please also read all operating and safety instructions.
- All informations provided by the guidelines are based on the latest situation of product, we reserves the right to change the product characteristics, packaging or supply situation, without prior notice.
- The guidelines are including maintenance, clean informations.
- Please read these instructions carefully before installation.
- Installation should be carried out by a qualified electrician.
- ENSURE THAT CONNECTIONS ARE TURNED OFF AT THE CONSUMER UNIT OR FUSE BOARD BEFORE INSTALLING OR CARRYING OUT ANY MAINTENANCE.
- THIS PRODUCT IS FOR IN DOOR USE ONLY.

● Parts listing



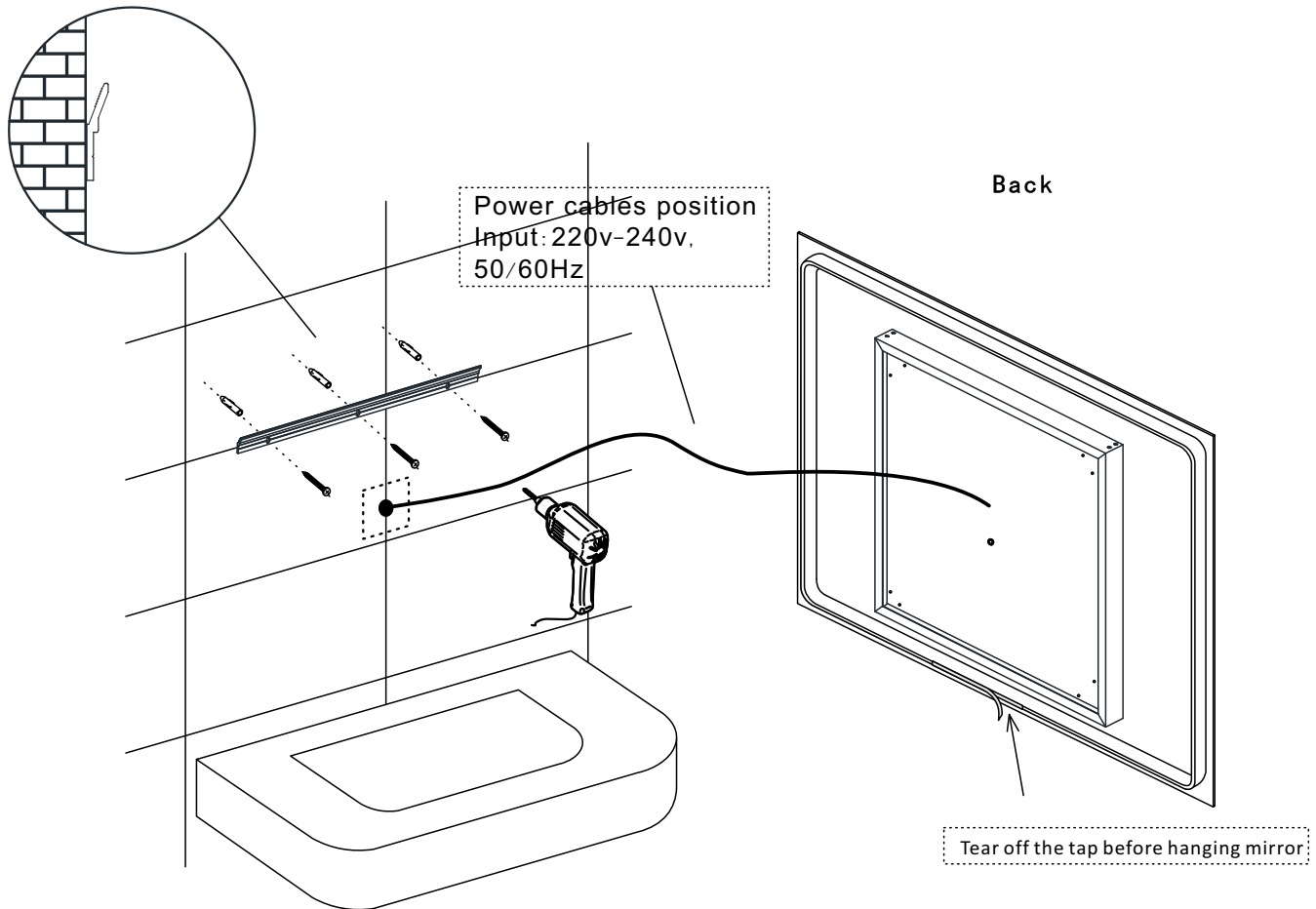
WARNING: There may be hidden danger to people or product during installing. Please wear protective equipment when installation.

WARNING: Do not use any acidic or alkaline cleanser, alcohol on it. Please clean with wet soft cloth.

WARNING: Risk of electrical shock, please replace wires.

IMPORTANT: This product is a one-way hanging mirror. Please make sure that there is not obstacles (just like electrical cable/ water pipe) inside the wall before installation.

- [1] Hanging mirror 1pc [2] Wall plugs 3pcs [3] screw st4*35 3pcs
[4] Fixing parts 1pc



- STEP1 Install the fixing parts, connect the wire, then tear off the tap
- STEP2 Connect the wire and hang up the mirror, make sure the mirror is hung tightly. Pushing the bottom of mirror make sure it sticks closed the wall.

