

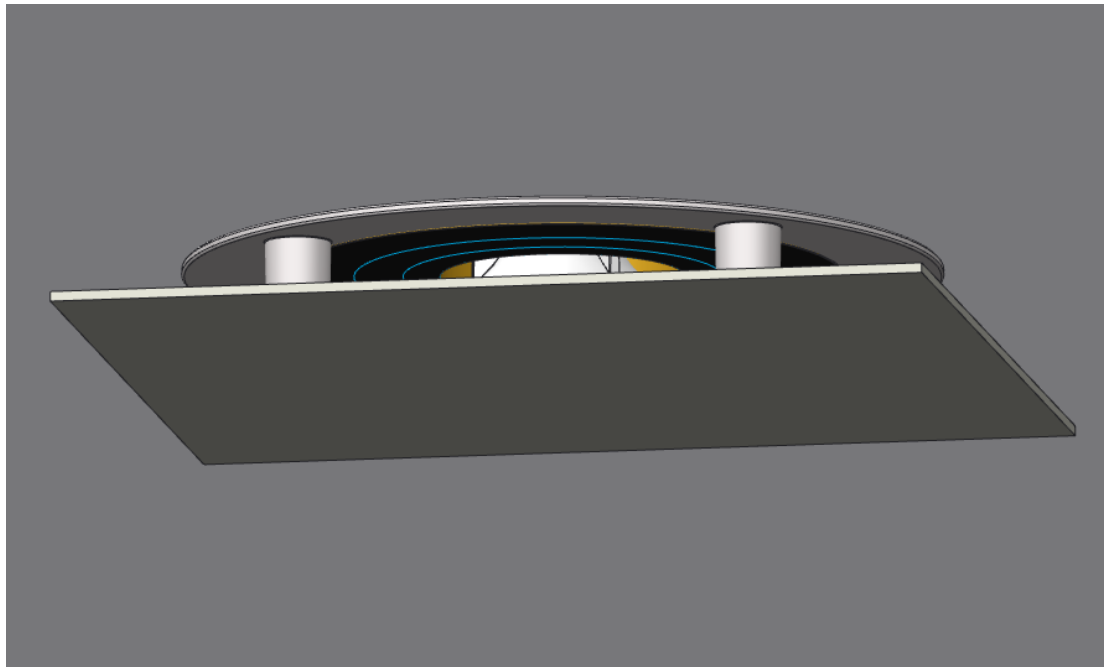
Plaatsingsinstructie

# DucoVent Design

L0004135

4/07/2018

**DUCO**  
Ventilation & Sun Control



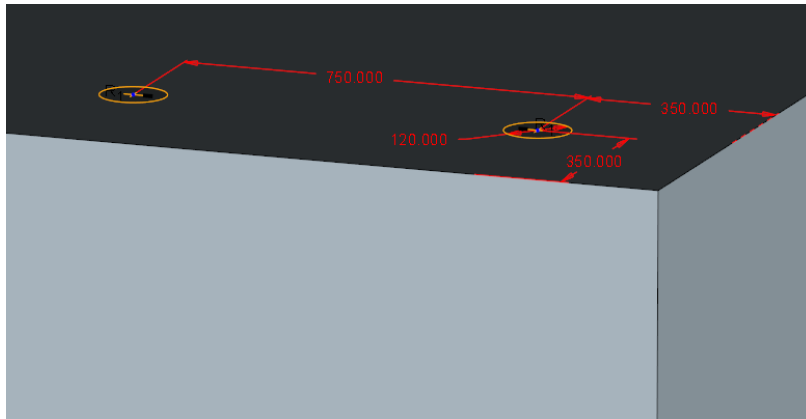
## CONTENTS

1. General rules for installing vent
2. Pre-setting flow rate with foam
3. Installing the vent
4. Finely adjusting the vent

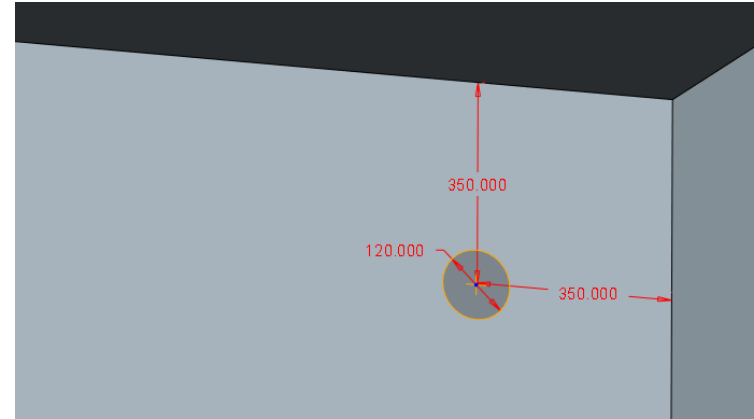
# 1

## General rules for installing the vent

Minimum dimensions for installing in the ceiling



Minimum dimensions for installing in the wall

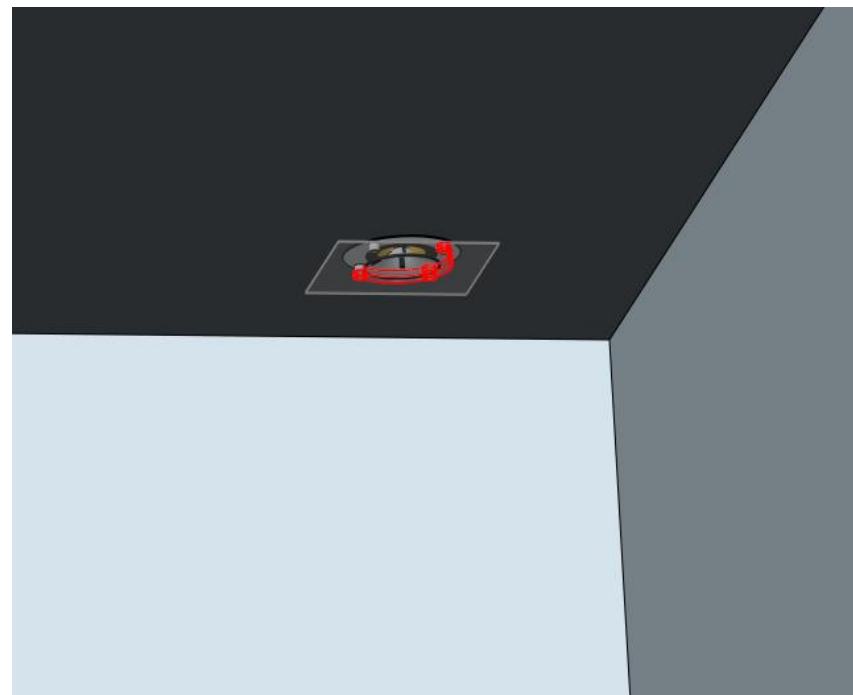
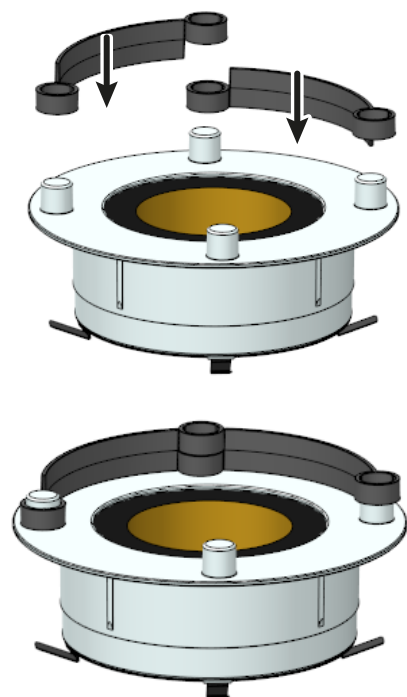


	Vierkant Standaard	Vierkant XL	Rond	Vierkant Afgerond Standaard	Vierkant Afgerond XL
Geschikt voor afvoer	✓	✓	✓	✓	✓
Geschikt voor toevoer	✗	✓	✓	✗	✓

# 1 General rules for installing the vent

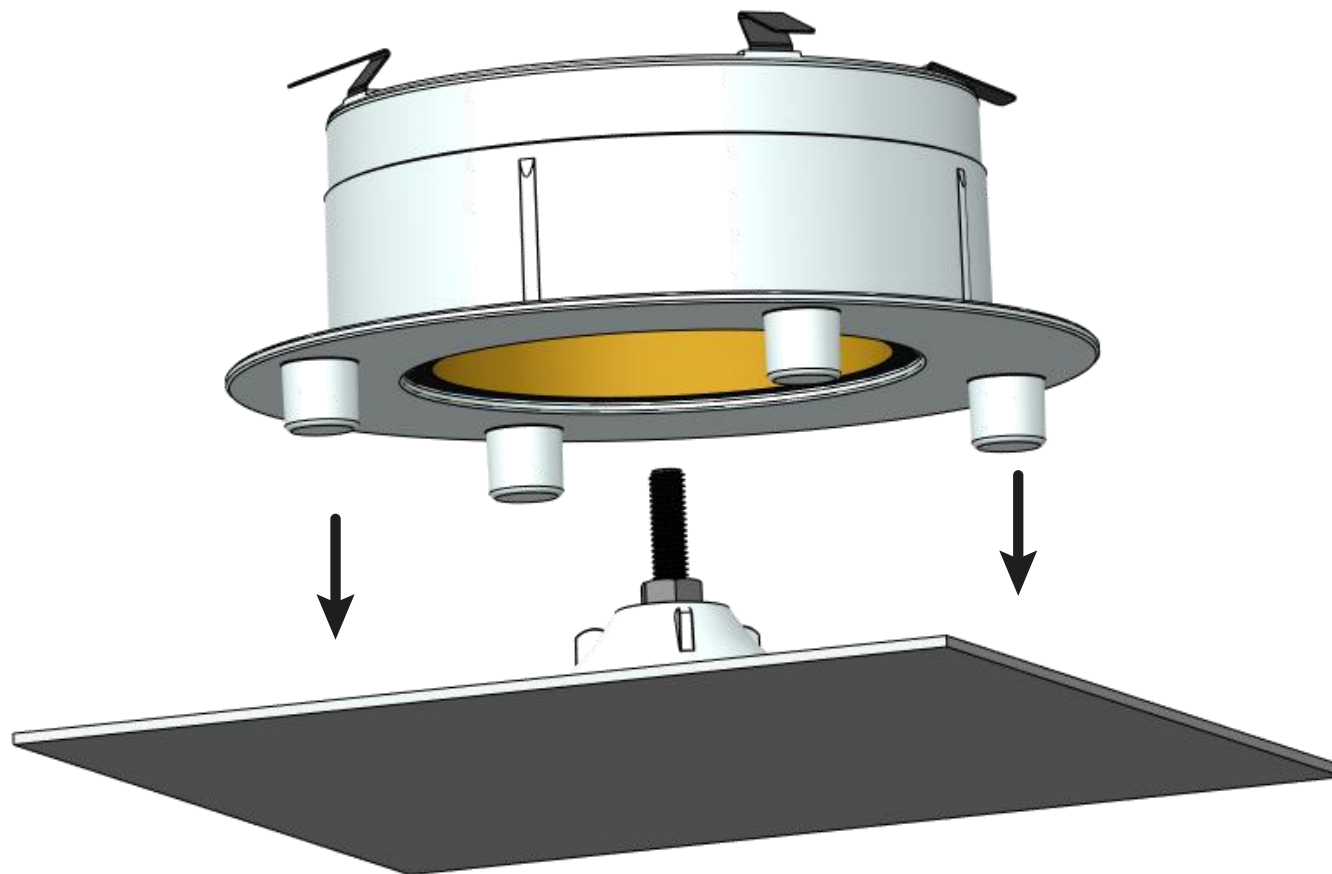
When the supply vent is installed in a corner the supplied guide plates can be used to point the supplied air in the right direction.

These guide plates are supplied as standard with the round version and the XL versions.



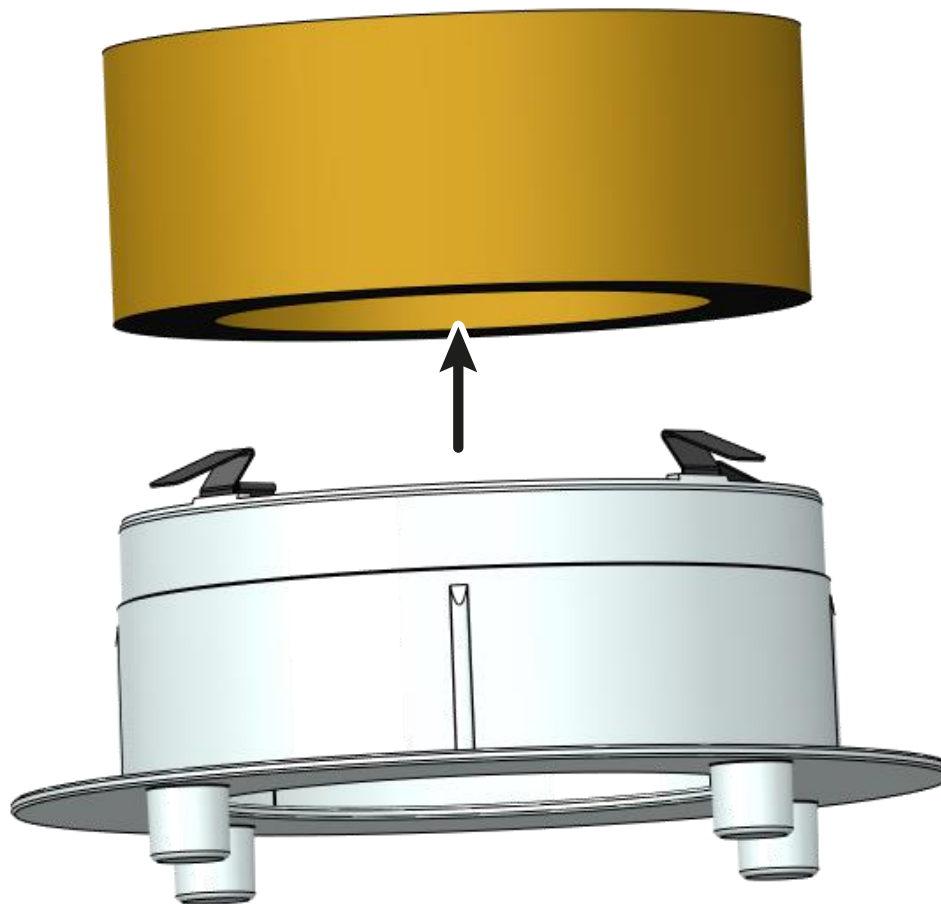
## 2 Pre-setting flow rate with foam

Remove the trim plate from the vent. This is attached solely with magnets.



## 2 Pre-setting flow rate with foam

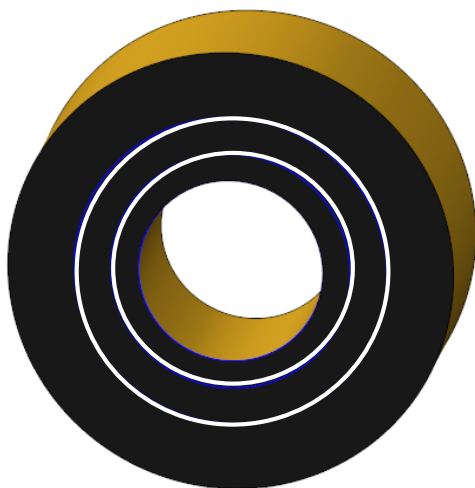
Take the acoustic foam pack out of the vent.



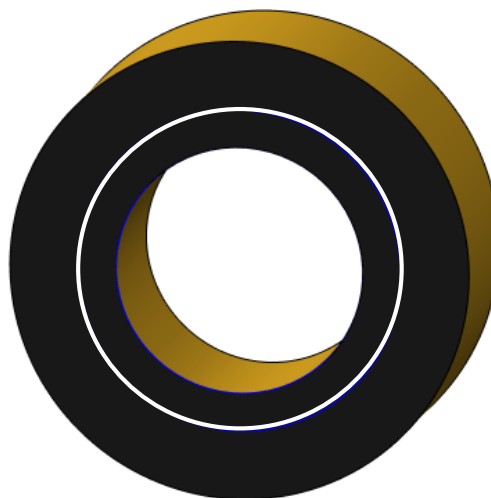
# 1 Pre-setting flow rate with foam

Take the flow rate rings you need from the foam pack.  
For a correct flow rate control, consult the Quick Start of the used DucoBox.

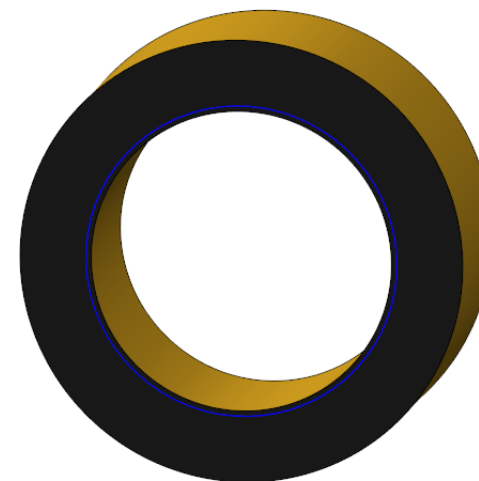
3 foam rings



2 foam rings

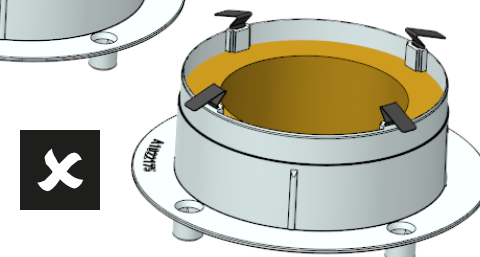
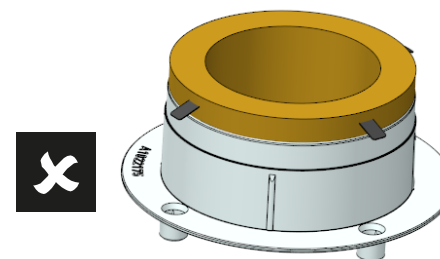
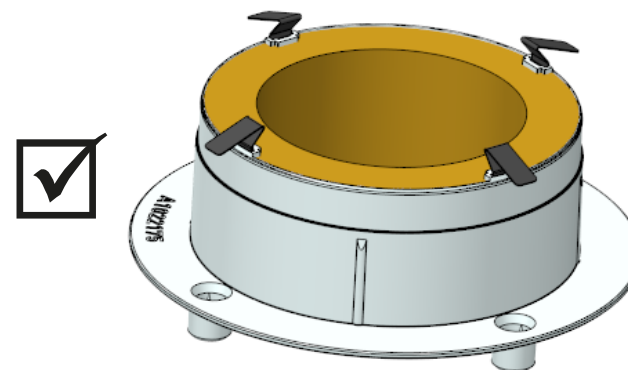
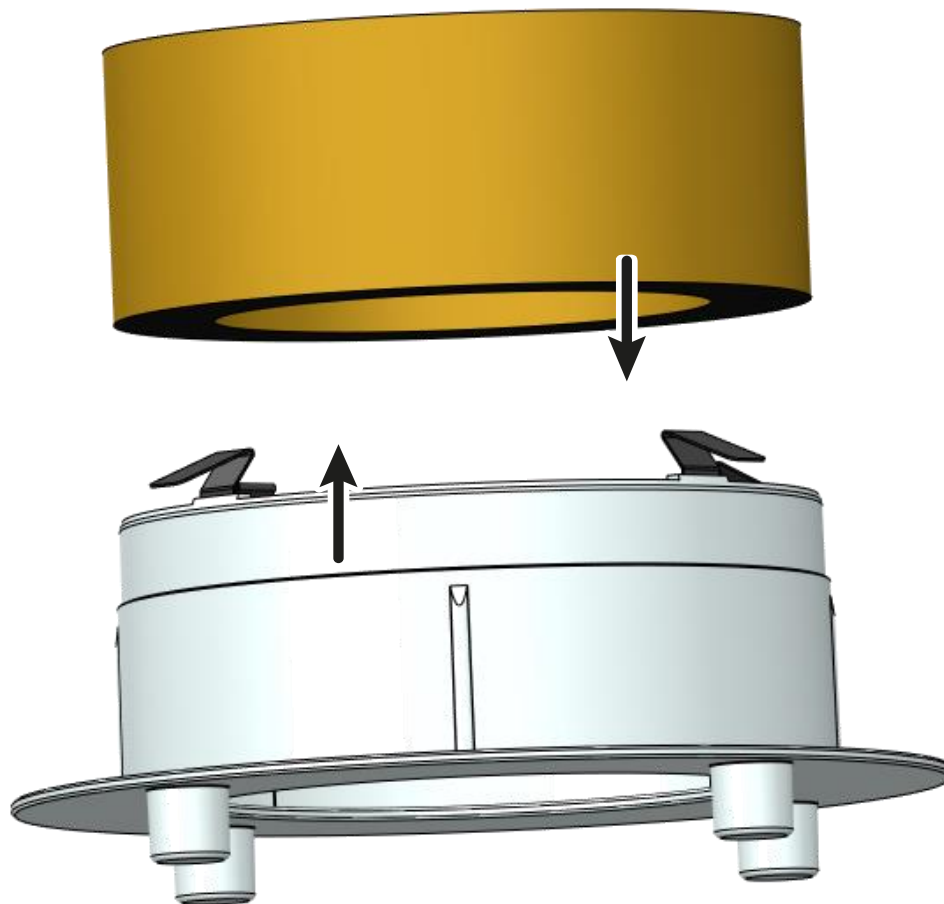


1 foam ring



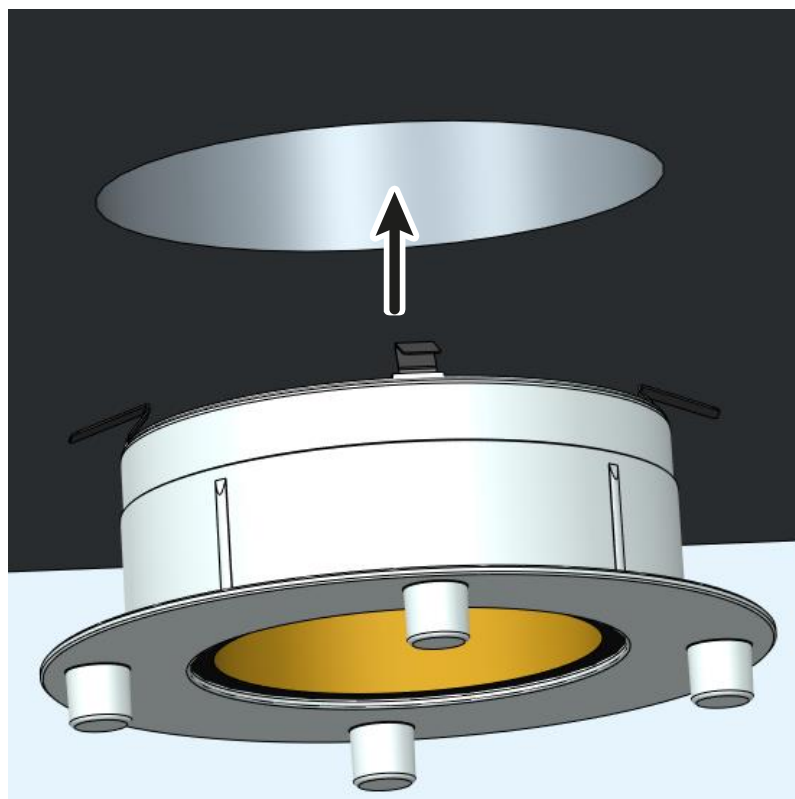
# 1 Pre-setting flow rate with foam

Place the acoustic foam pack back in the vent.  
Ensure that the foam is inserted up to the top of the ceiling section!



## 2 Installing the vent

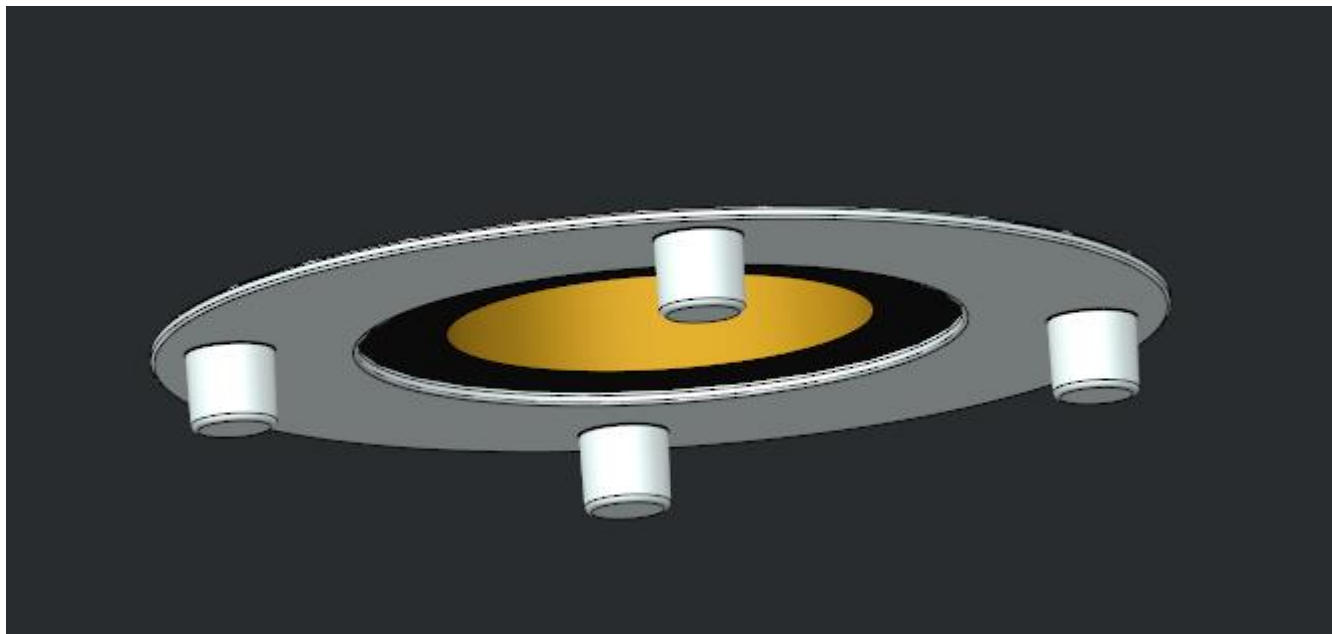
Install the vent in the provided opening of diameter 125 mm.  
The vent is clamped by the leaf springs.





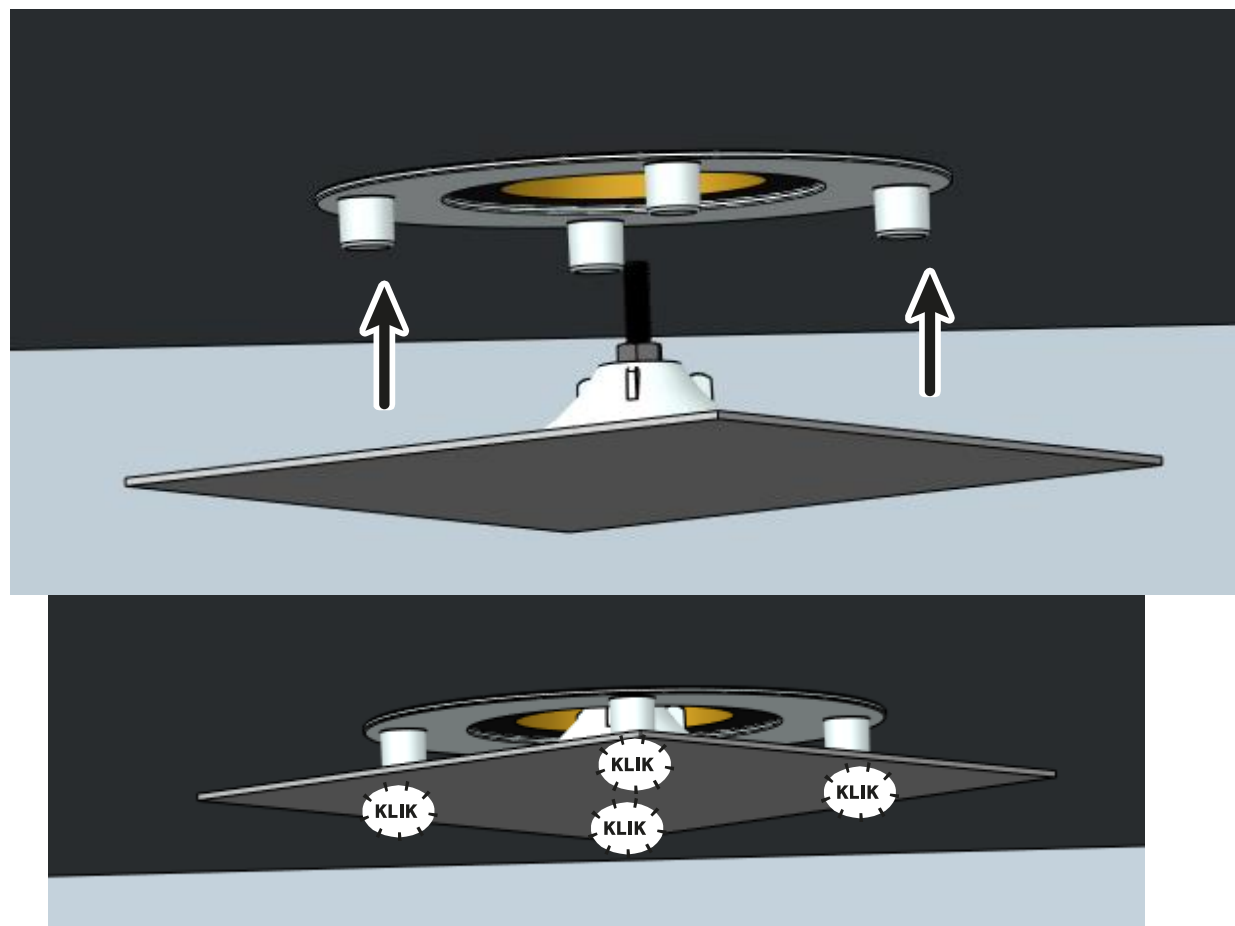
## 2 Installing the vent

Ensure that the vent fits well against the ceiling.  
If necessary, turn the vent until it is positioned perfectly.



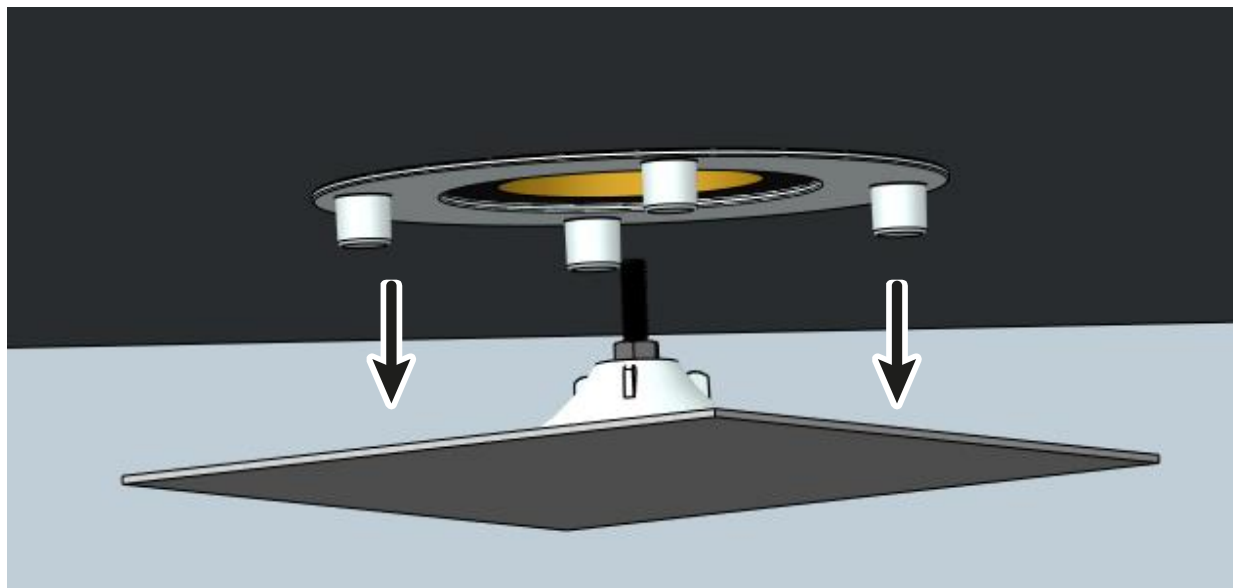
## 2 Installing the vent

Refit the trim plate on the vent.  
It is attracted by the magnets and is self-positioning.



### 3 Fine adjustment of the vent

If after checking the flow rates, the flow rate through the vent differs from the desired value. Remove the trim plate from the vent. This is attached solely with magnets.



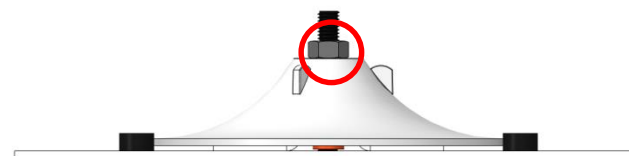
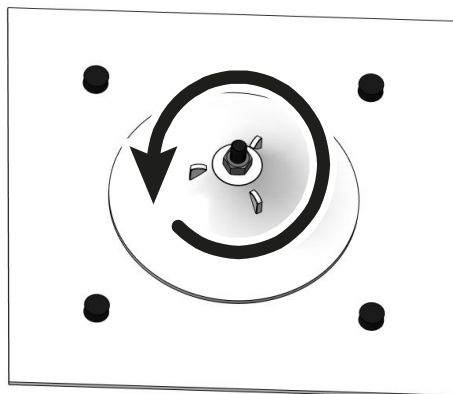
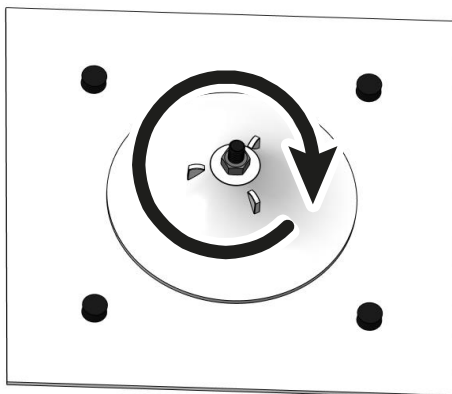
### 3 Finely adjusting the vent

Adjust the cone on the trim plate a little.

- Turn this upwards to reduce the flow rate through the vent a little.
- Turn this downwards to increase the flow rate through the vent a little.

After this, secure the cone with the supplied nut.

If the desired flow rate cannot be achieved in this way, a foam ring can always be inserted or an extra foam ring can be removed.



### 3 Finely adjusting the vent

Refit the trim plate on the vent.  
It is attracted by the magnets and is self-positioning.

