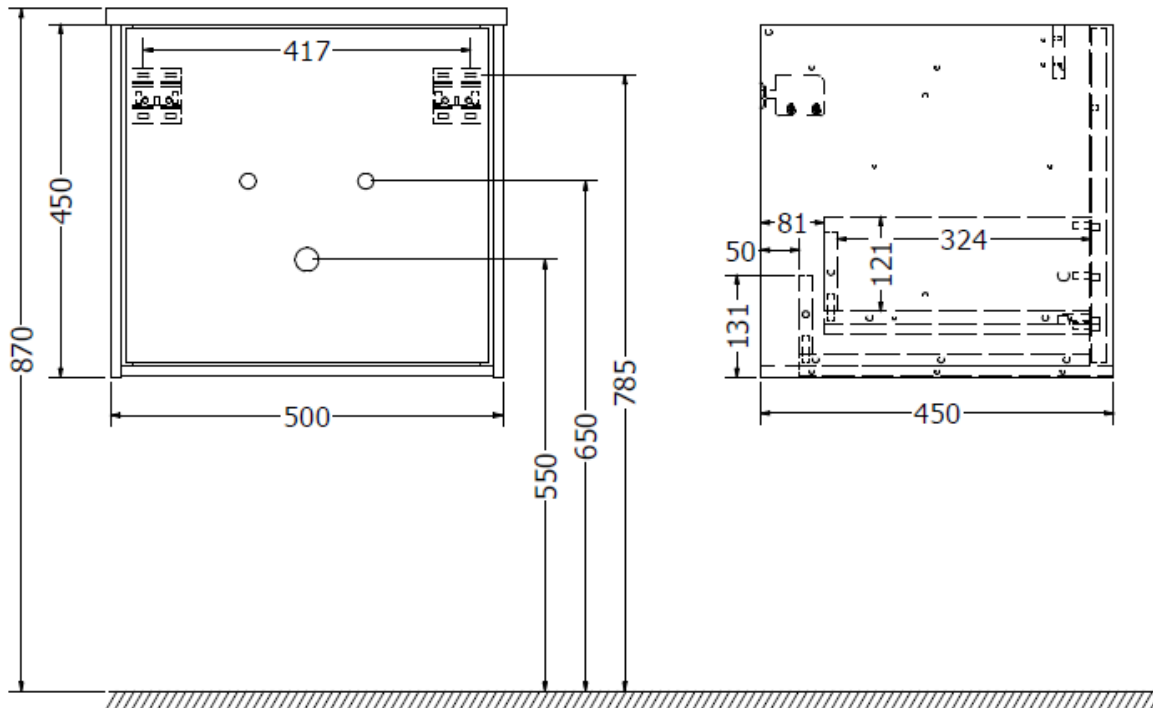


INFINITY 500mm FURNITURE

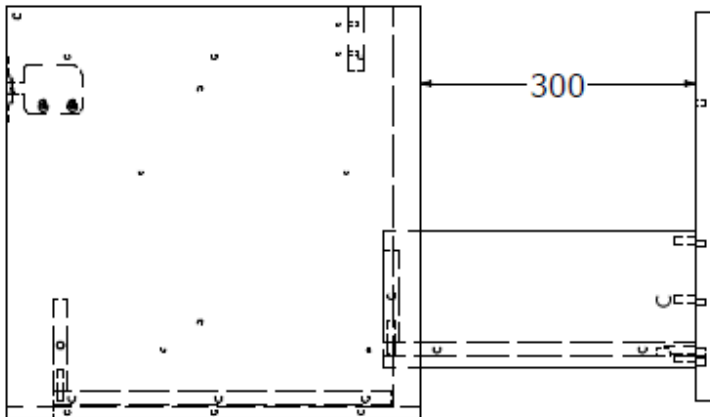
TECHNICAL DATA		SPECIFICATION	
CODE No UNIT	IF5000Dxx	Installation Information: The intended installation wall needs to be strong enough for the weight of the furniture and basin. Wall fixings for solid walls included. Laminate finishes/lacquer tested to ISO 22196 Measurement of antibacterial activity Graded Strong value of anit-bacterial effect A>3	
Required top	Worktop see prevailing Crosswater catalogue		
Recommended use:	Domestic, residential	Furniture Colours: Black Matt IF5000DBM EN622 type 5 Storm Grey Matt IF5000DSG EN622 type 5 White Gloss IF5000DWG EN622 type 5 Windsor Oak IF5000DWO EN622 type 5	
Dimension Unit	w 500 x d 450 x h 450mm		
Installation:	Wall Hung	Handle Colour options: IF_HANDLEC Chrome IF_HANDLEBM Matt Black IF_HANDLEF Brushed Brass effect IF_HANDLEV Stainless Steel Effect	
Materials:	Carcass and drawer front 18mm MDF Drawer set 18mm MDF		
Specification:	Full extension soft close drawers - 30kg weight capacity Anti-tip wall hangers 170Kg capacity		
Weight:	21kg		
Fitting:	Wall hangers integrated into carcass Wall brackets supplied		
Required Fitting:	Compatible to basin requirement		
Advised Fitting:	Space saving 50mm seal trap BTR0510W		
Option Accessories:	Handles - see right. Interior drawer and LED light bar		
Warranty	10 years on furniture		



INFINITY 500mm FURNITURE

TECHNICAL DATA		SPECIFICATION	
CODE No UNIT	IF5000Dxx	Installation Information: The intended installation wall needs to be strong enough for the weight of the furniture and basin. Wall fixings for solid walls included.	
Required top	Worktop see prevailing Crosswater catalogue	Laminate finishes/lacquer tested to ISO 22196 Measurement of antibacterial activity Graded Strong value of anit-bacterial effect A>3	
Recommended use:	Domestic, residential	Furniture Colours:	
Dimension Unit	w 500 x d 450 x h 450mm	Black Matt	IF5000DBM EN622 type 5
Installation:	Wall Hung	Storm Grey Matt	IF5000DSG EN622 type 5
Materials:	Carcass and drawer front 18mm MDF Drawer set 18mm MDF	White Gloss	IF5000DWG EN622 type 5
Specification:	Full extension soft close drawers - 30kg weight capacity Anti-tip wall hangers 170Kg capacity	Windsor Oak	IF5000DWO EN622 type 5
Weight:	21kg	Handle Colour options:	
Fitting:	Wall hangers integrated into carcass Wall brackets supplied	IF_HANDLEC	Chrome
Required Fitting:	Compatible to basin requirement	IF_HANDLEBM	Matt Black
Advised Fitting:	Space saving 50mm seal trap BTR0510W	IF_HANDLEF	Brushed Brass effect
Option Accessories:	Handles - see right. Interior drawer and LED light bar	IF_HANDLEV	Stainless Steel Effect
Warranty	10 years on furniture		

Side View—drawer extension



Plan View

