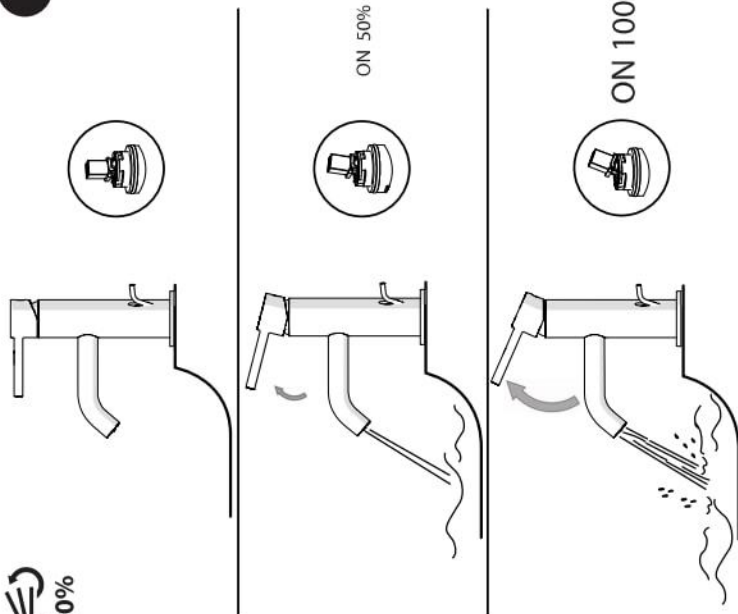




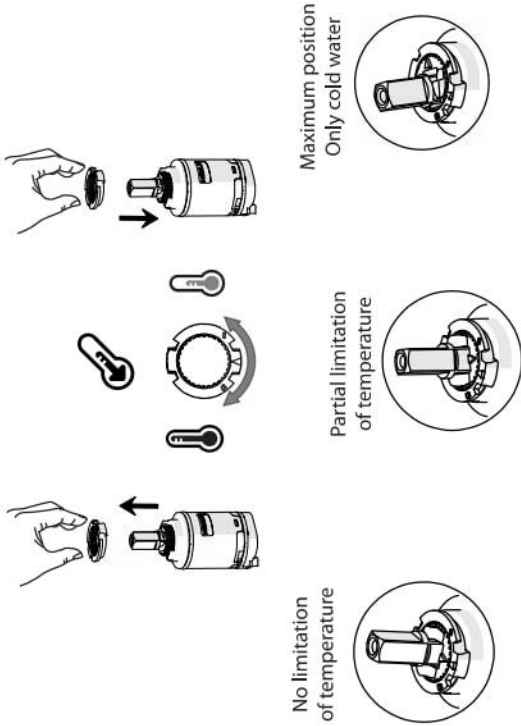
7



ON 50%

ON 100%

9

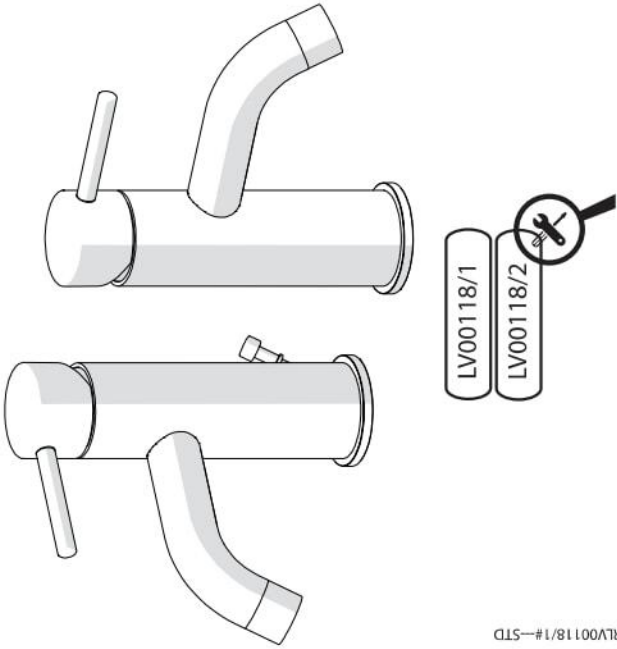


No limitation of temperature

Partial limitation of temperature

Maximum position Only cold water

NOBILIT
The Best Technology for Water



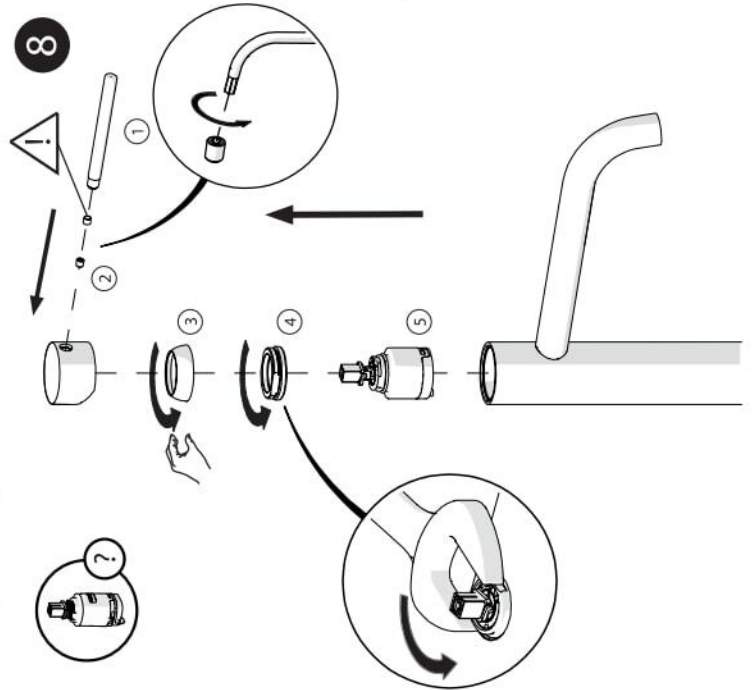
LV00118/1

LV00118/2

I18TRLV00118/1#-STD

www.grupponobili.it
REV1/01/2014

8



10

