

## *Completion Concealed Box*

### *Mounting Instructions*

Pressure range min/max 0,5/5 bar  
(in case of water pressure higher than 5 bar we recommend installing pressure reducers).

Recommended pressure 3 bar.

Operation:

Either with gas or electric accumulation  
boilers.

Centralised systems.

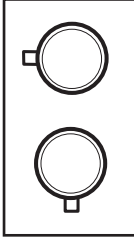
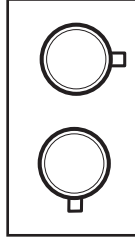
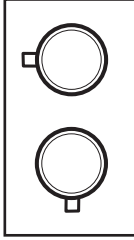
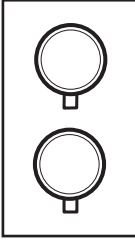
---

|   |      |
|---|------|
| Safety lock at:                         | 41°  |
| Min. Working temperature:               | 3°C  |
| Min. recommended:                       | 15°C |
| Max. Working temperature:               | 80°C |
| Max. recommended:                       | 65°C |
| <i>Recommended thermal differential</i> | 50°C |

Safety system with flow stop in case  
of lack of one of the two waters.

---

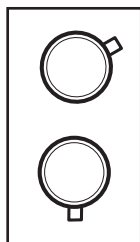
**Warning: contact the plumber for the choice of the best water heating device.**

| Press. | FLOW RATE ( L/min )   |   |   |   |
|--------|---|---|---|---|
|        | Term. 1 way   | Term. 2 way   |   |   |
|        |  |  |  |  |
| bar    | Exit 1/2/3  | Exit 2  | Exit 3  | Mix   |
| 0,5    | 8,2   | 8,2   | 8,2   | 9,2   |
| 1      | 11,7  | 11,7  | 11,7  | 13,2  |
| 2      | 16,7  | 16,4  | 16,4  | 18,7  |
| 3      | 20,7  | 20  | 20  | 22,9  |
| 4      | 24  | 23  | 23  | 26,4  |
| 5      | 26,6  | 25,8  | 25,8  | 29,5  |

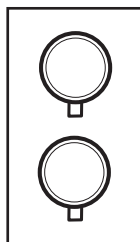
Press.

FLOW RATE ( L/min )

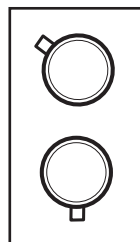
Term. 3 ways



Exit 1



Exit 2



Exit 3

bar

0,5

9,4

8,1

8,1

1

13,4

11,6

11,6

2

19,2

16,6

16,6

3

23,7

20,5

20,5

4

27,4

23,8

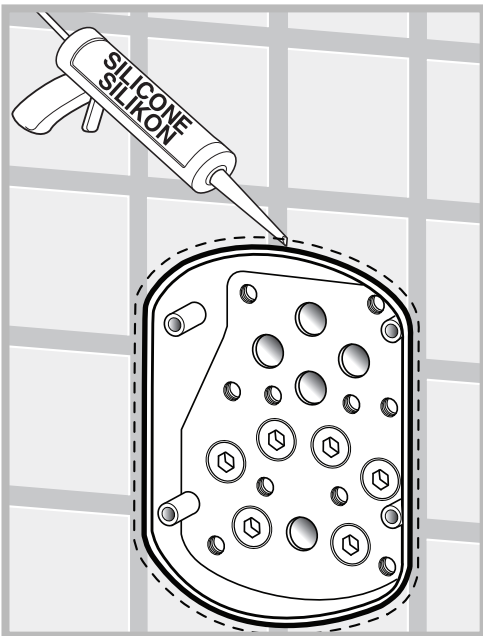
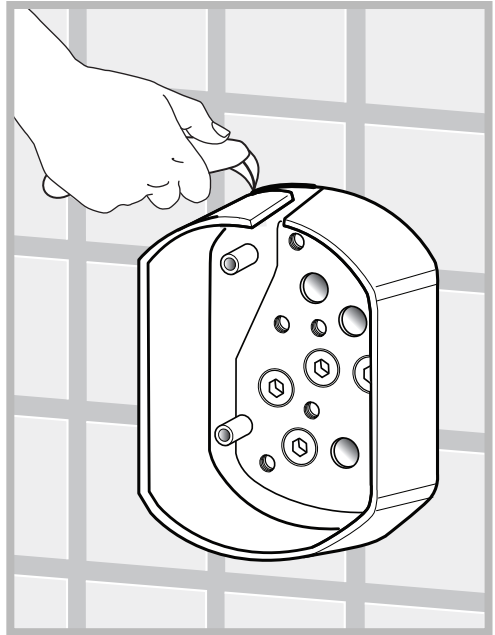
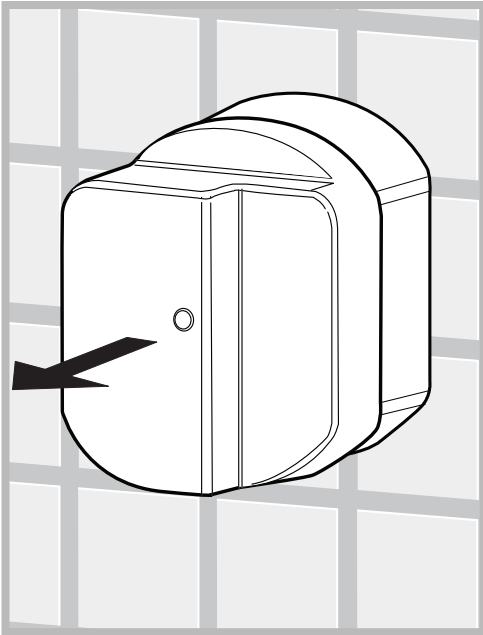
23,8

5

30,5

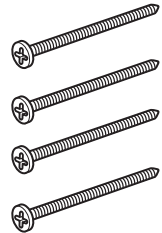
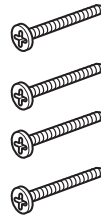
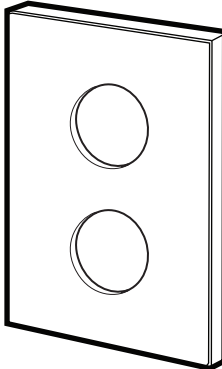
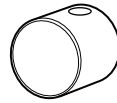
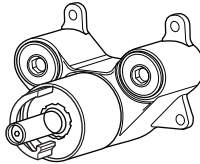
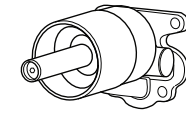
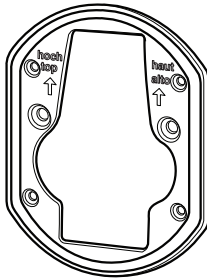
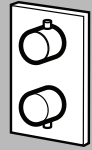
26,6

26,6



THERMOSTATIC

1-2-3 WAYS

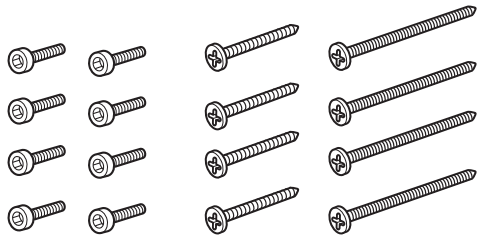
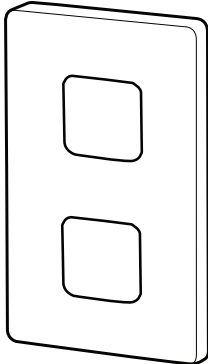
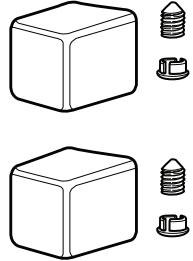
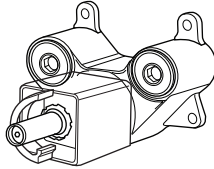
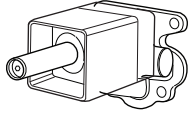
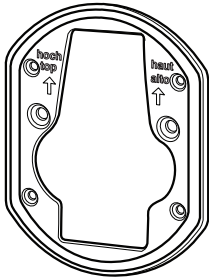
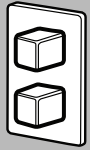


GB Mounting instructions



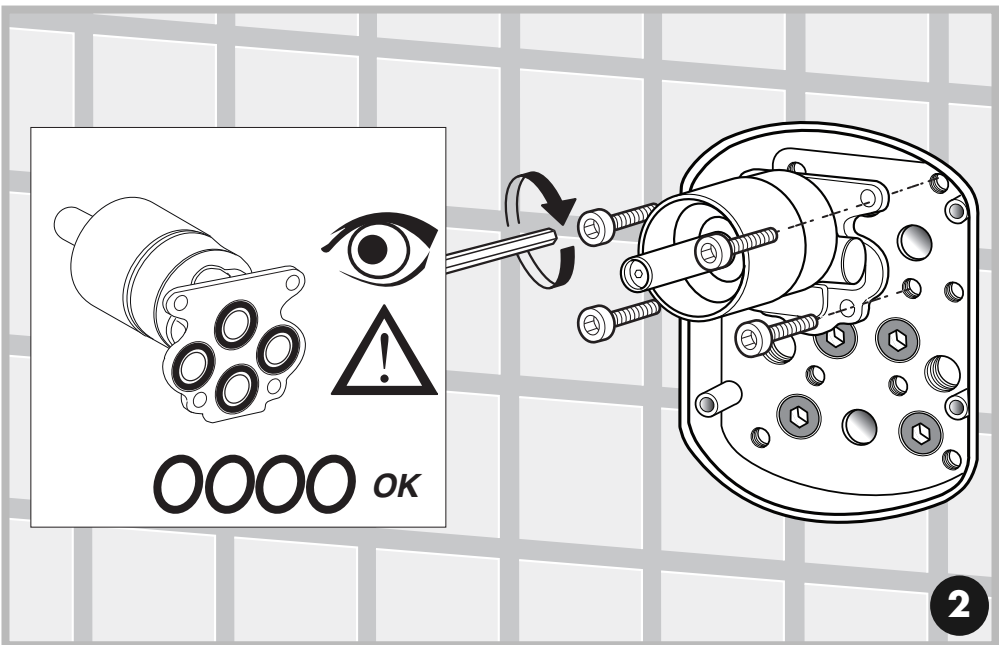
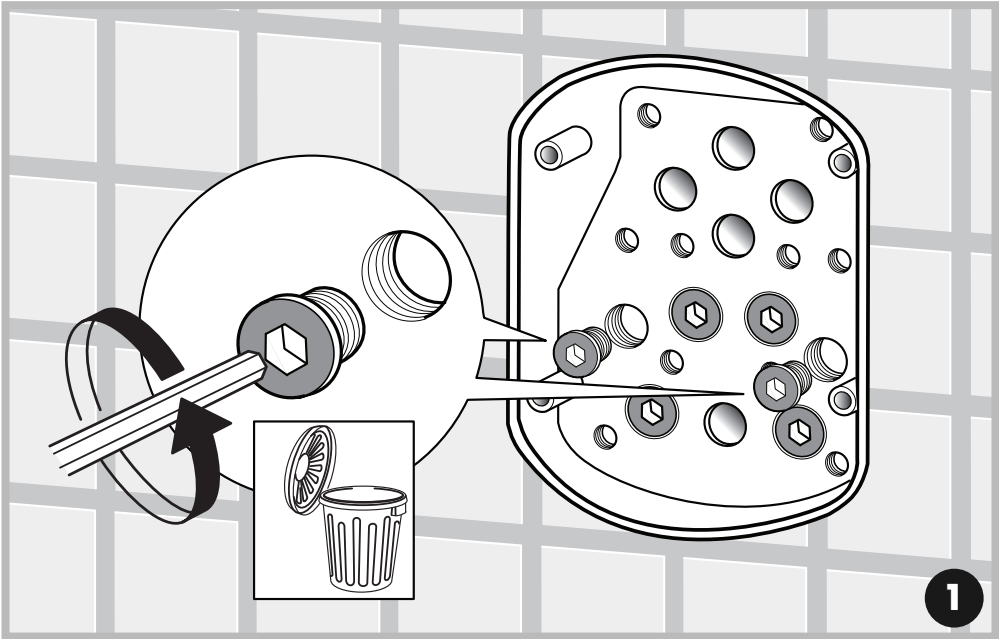
THERMOSTATIC

1-2-3 WAYS

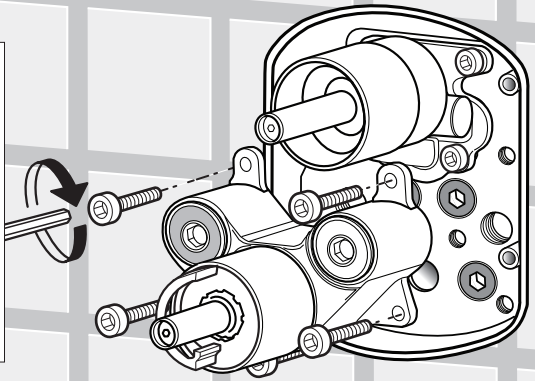
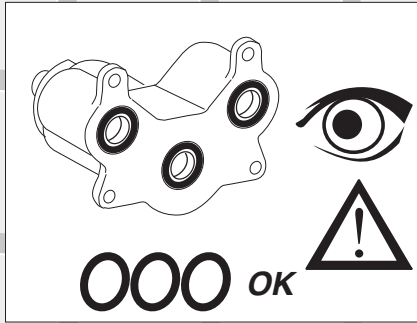
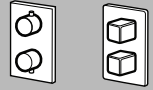


GB Mounting instructions

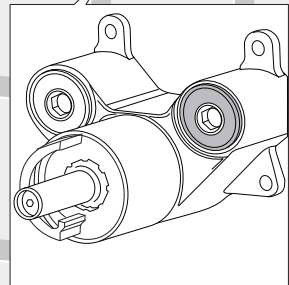
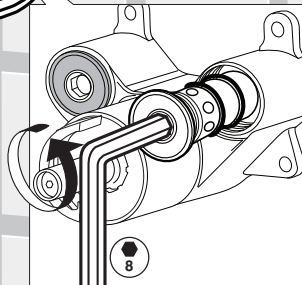
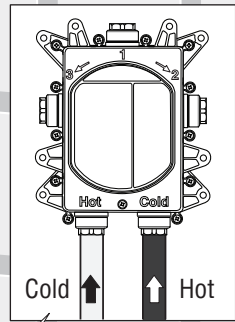
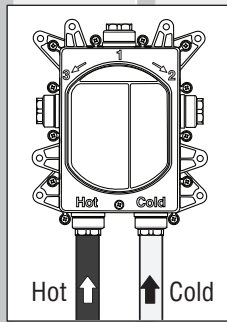
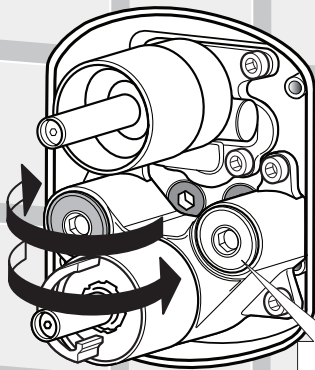




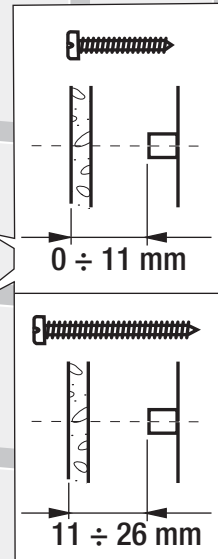
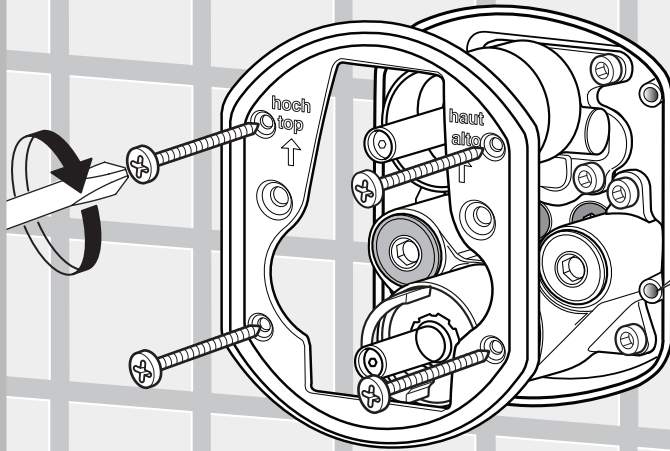




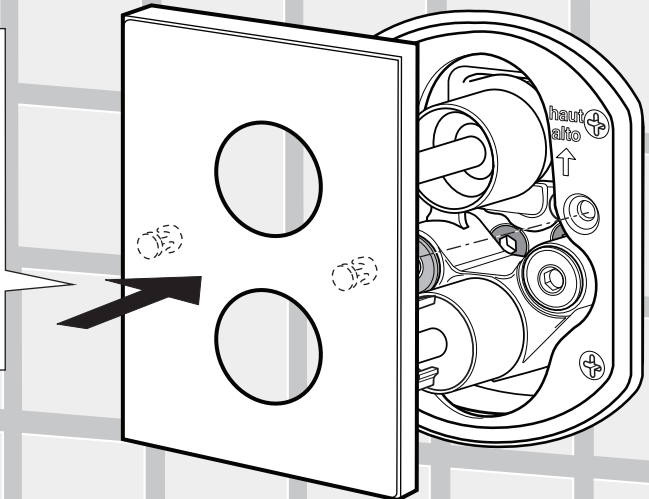
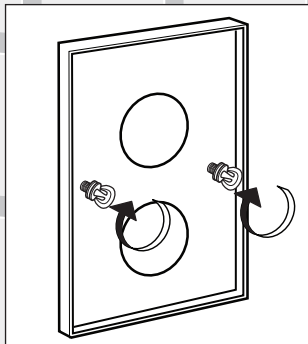
3



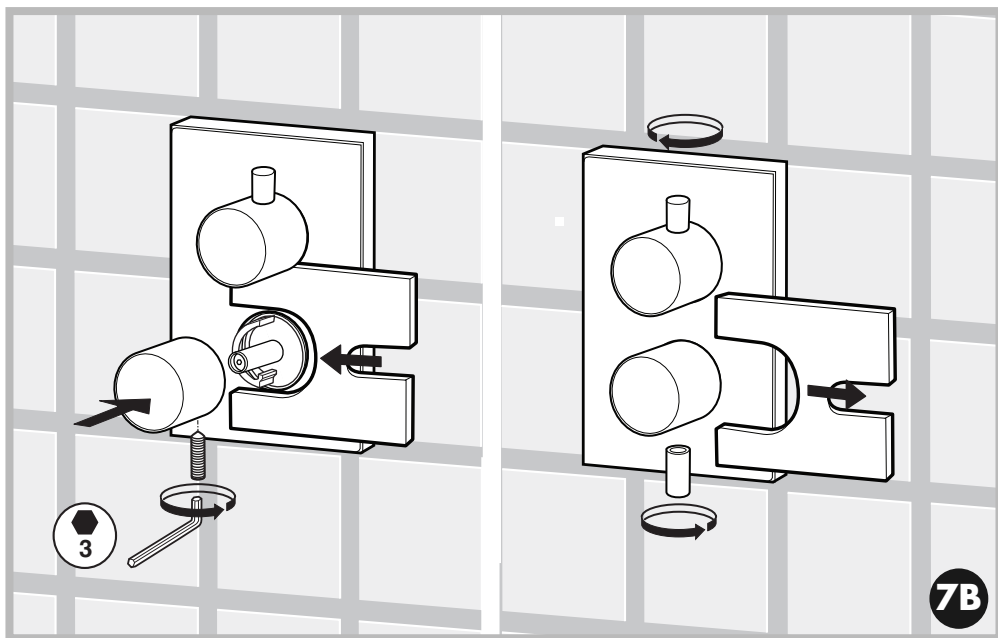
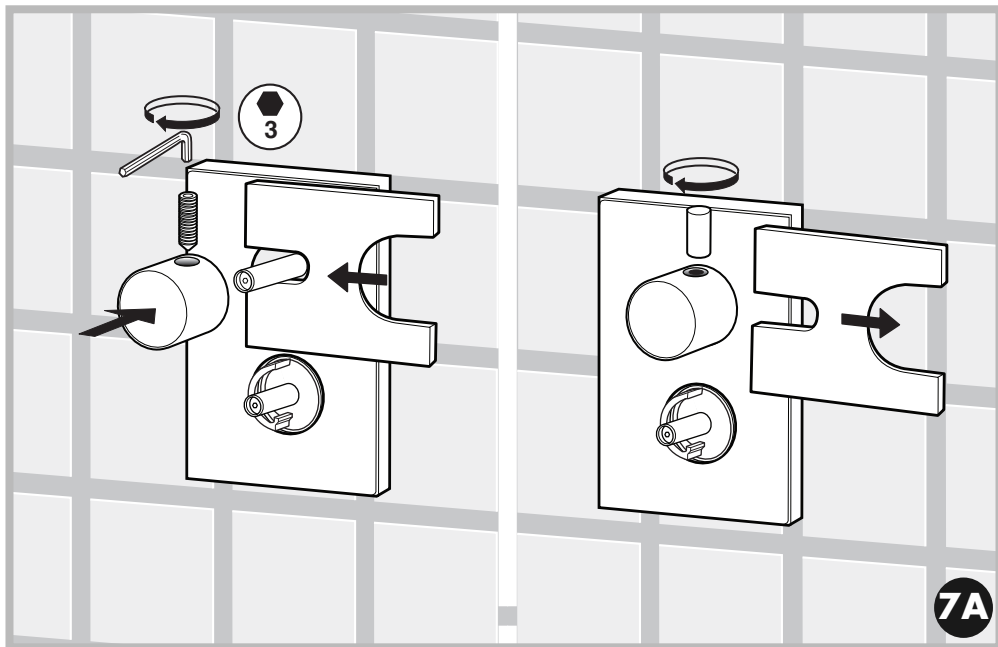
4



5

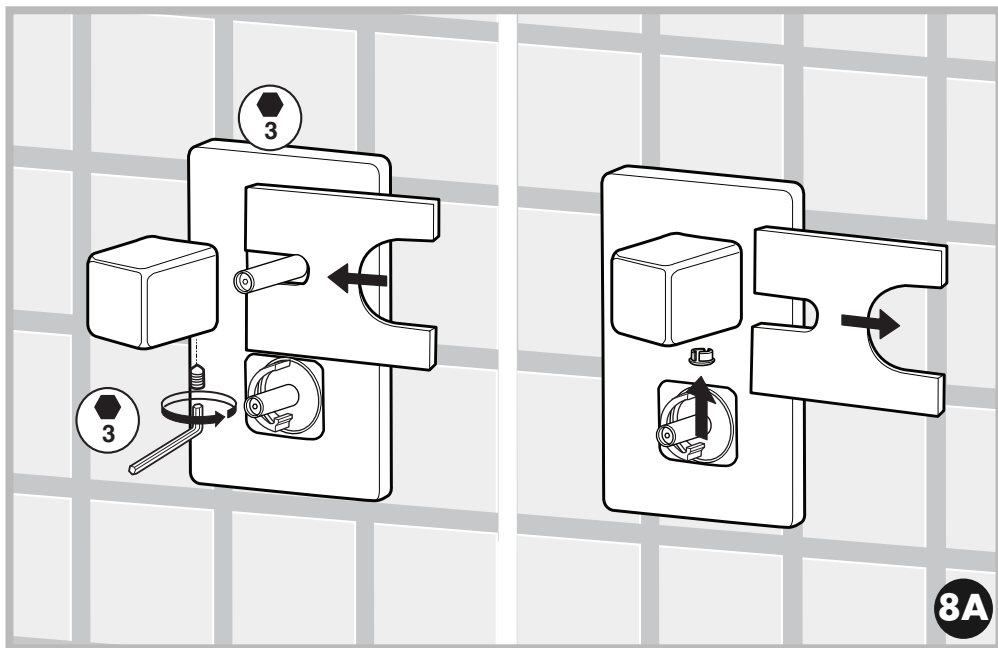


6

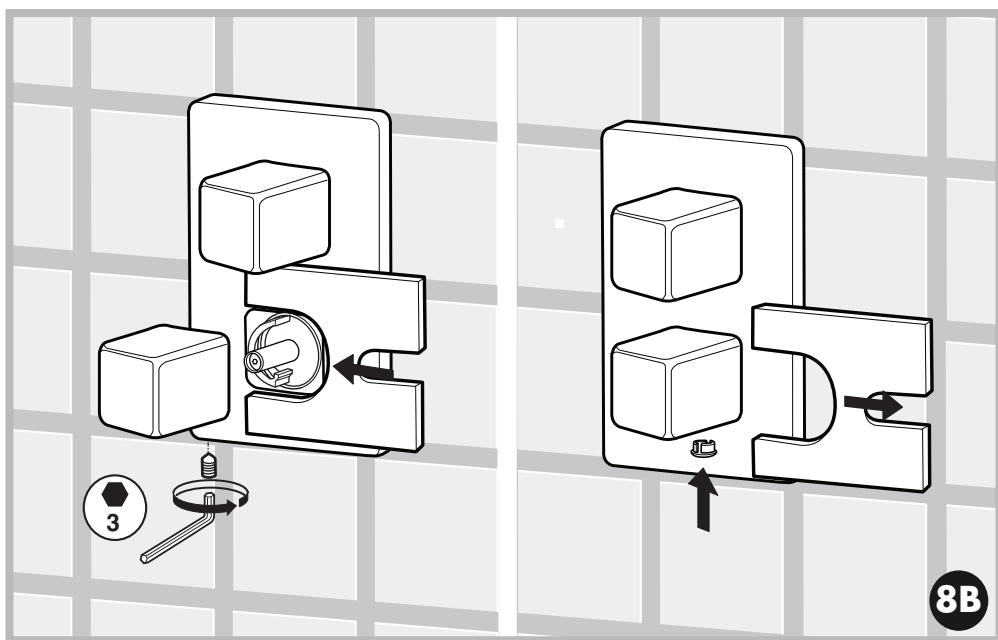




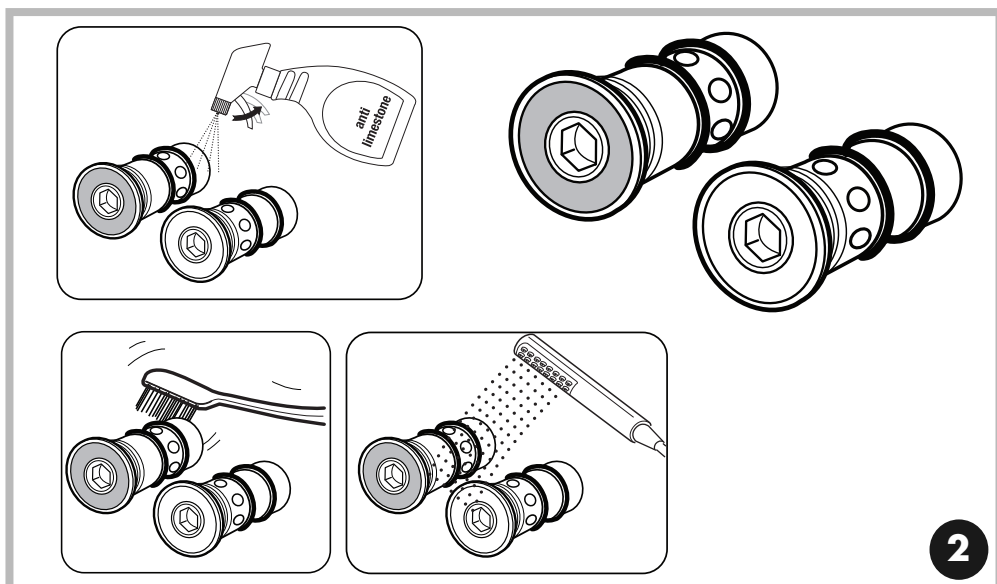
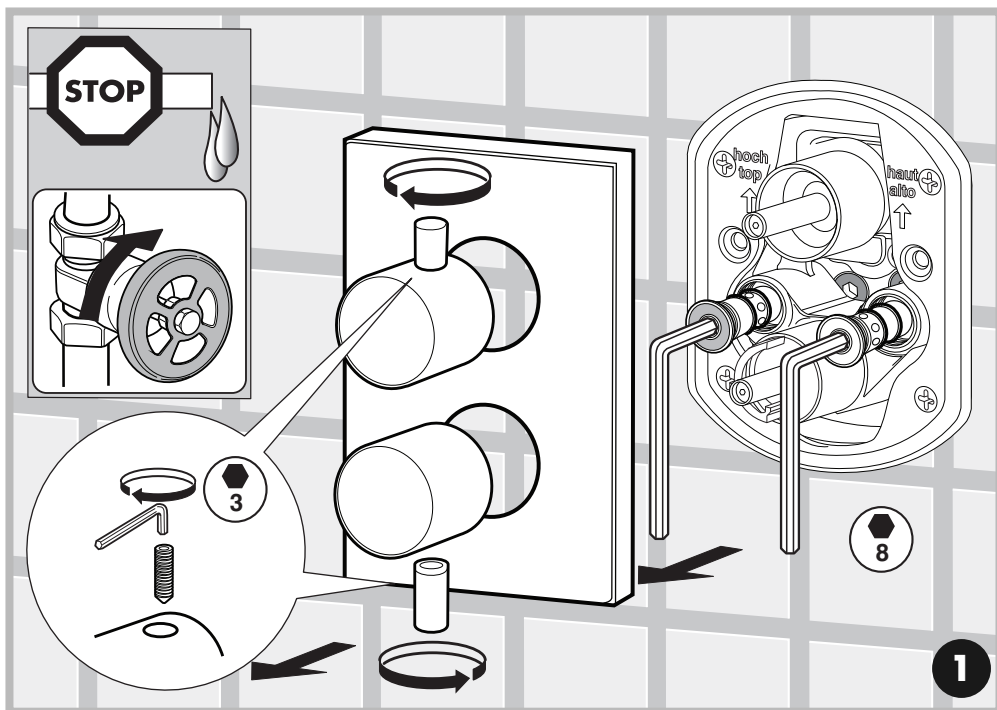
11

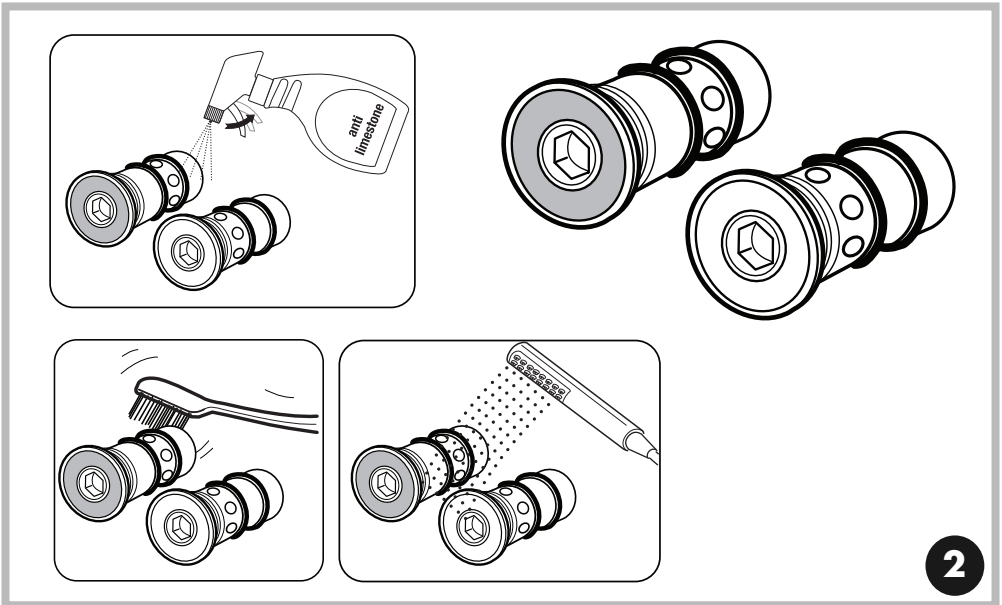
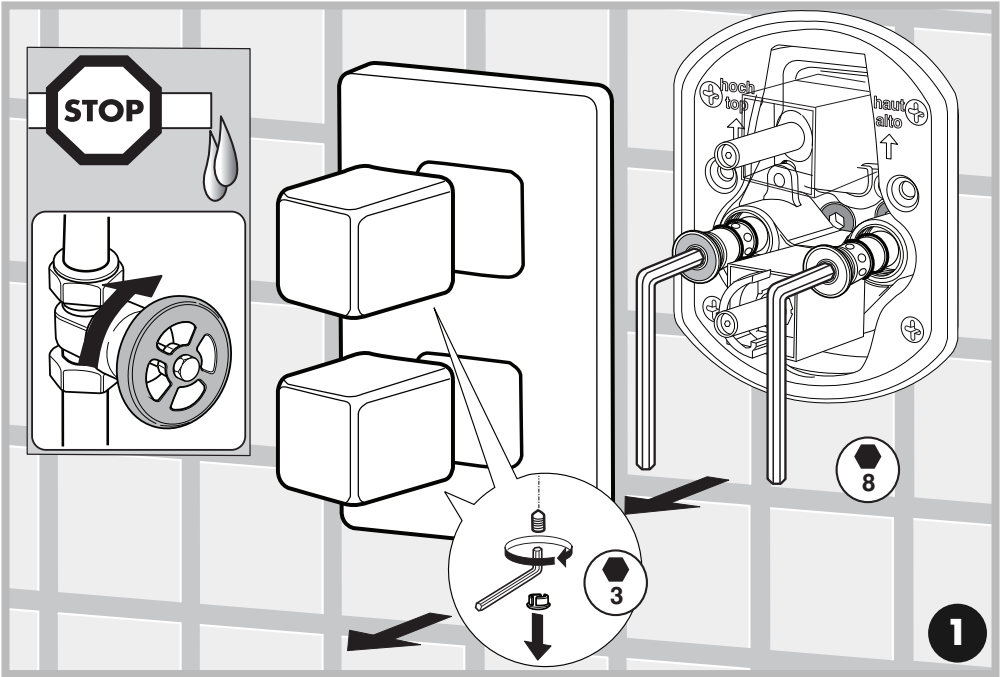


8A



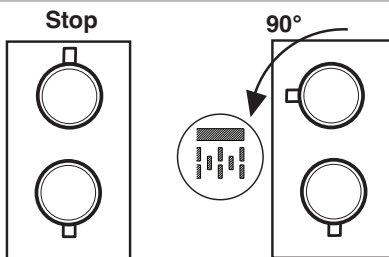
8B



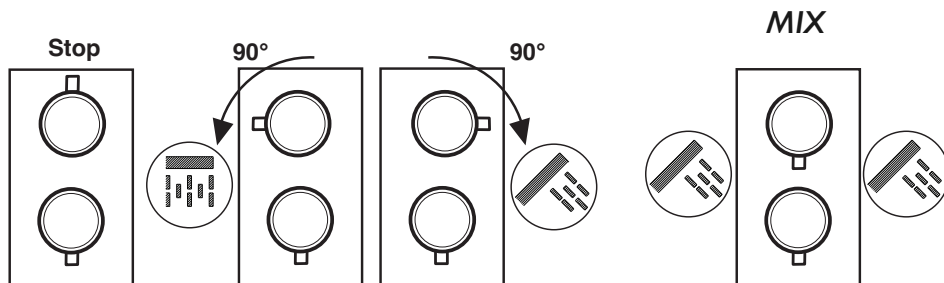




**THERMOSTATIC 1 WAY**



**THERMOSTATIC 2 WAYS**



**THERMOSTATIC 3 WAYS**

