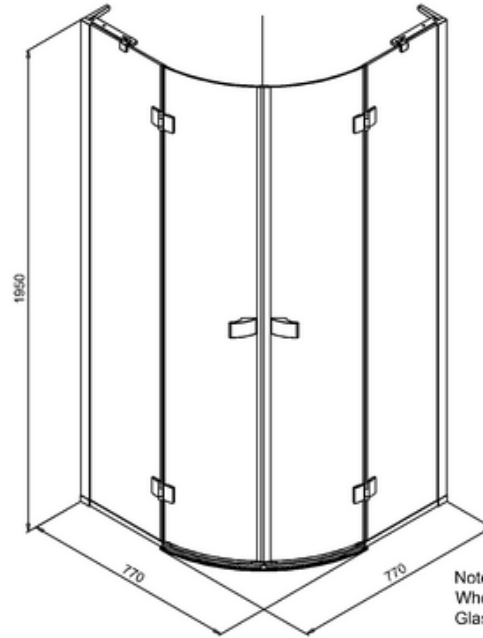
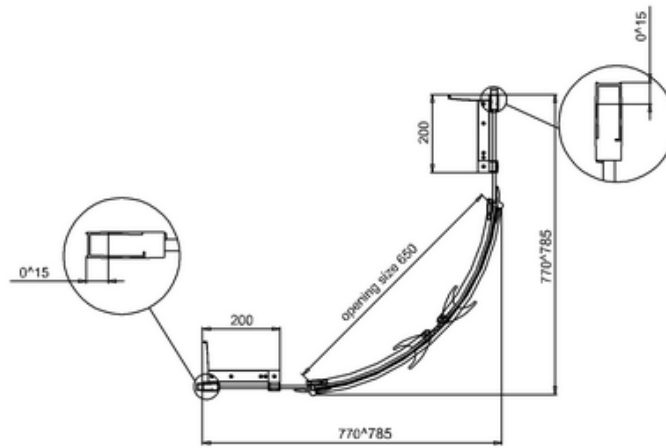


DQDSC0800+ - Curved Quad with Double Doors 800mm



Note:
Whole dimension tolerance is ± 5 .
Glass dimension tolerance is ± 2 .